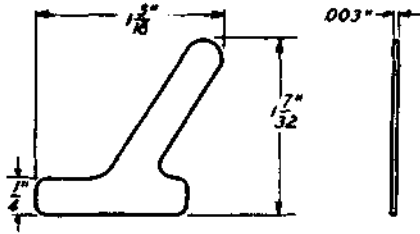


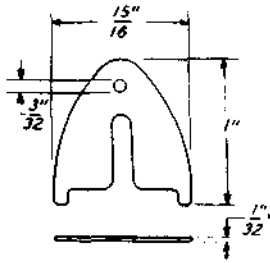
CODED TOOLS
NO. 463A TO 449A
DESCRIPTION

TOOL, 436A



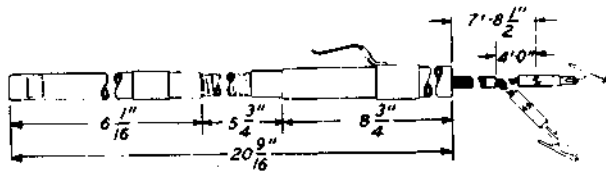
Heelpiece adjusting tool.
For use on step-by-step type relays.

TOOL, 441A



Cutover tool.
For use for cutover purposes in step-by-step office for holding open the contacts of K type (cut-off) relays.

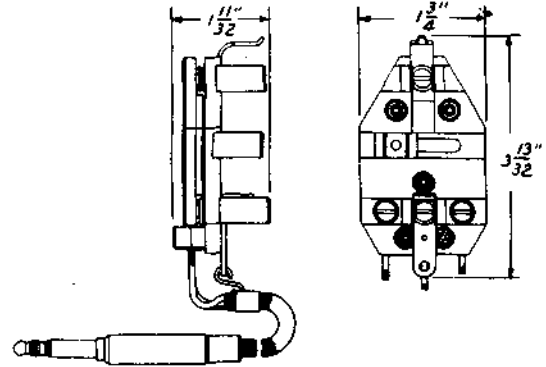
TOOL, 442A



Multiple inspection lamp. Equipped with a W2AL cord, two No. 360A tools and two test clips. Arranged for but not furnished with an A2 lamp. A B1 lamp may be used if greater illumination is required.

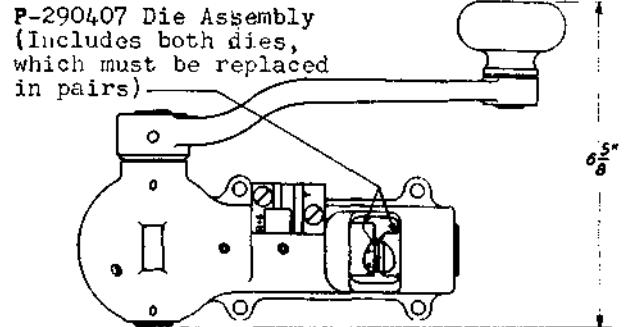
For use in repairing skimmers and multiple jack connections.

TOOL, 443A

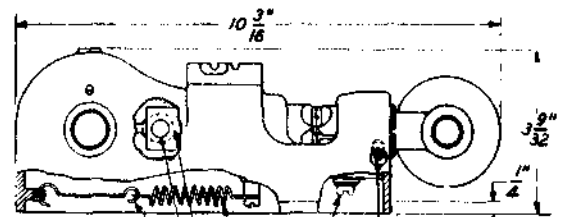


Replaces the D-87336 tool.
Cord shelf connecting tool. Furnished with a W3M cord and a No. 310 plug.
For use in making connections to cord circuits in local and toll switchboards.

TOOL, 444A



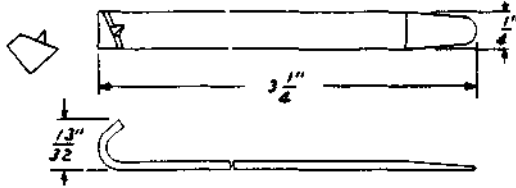
P-290407 Die Assembly (Includes both dies, which must be replaced in pairs)



- P-242371 Hook
- P-242381 Shaft
- P-242379 Roller
- P-242368 Spring
- P-242391 Disc (at end of Bristo Set Screw)
- P-242389 Screws

Cord tip press.
For use in repairing switchboard cords by the solderless cord tip method.

TOOL, 445A

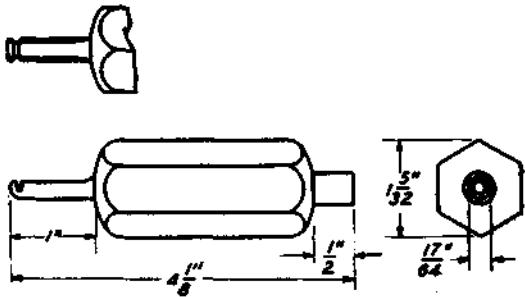


Dial card holder tool.

For use on 2, 4 and 5 type dials.

TOOL, 446A Manufacture Discontinued

TOOL, 447A

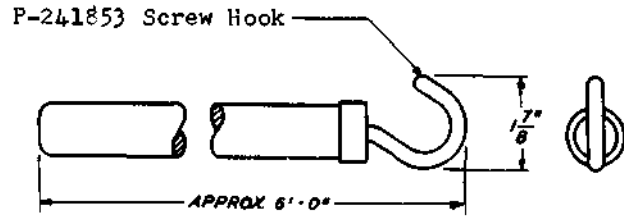


Protector wrench and adjuster.

Replaces the No. 28 tool.

For use on protector mountings and 444 type jacks.

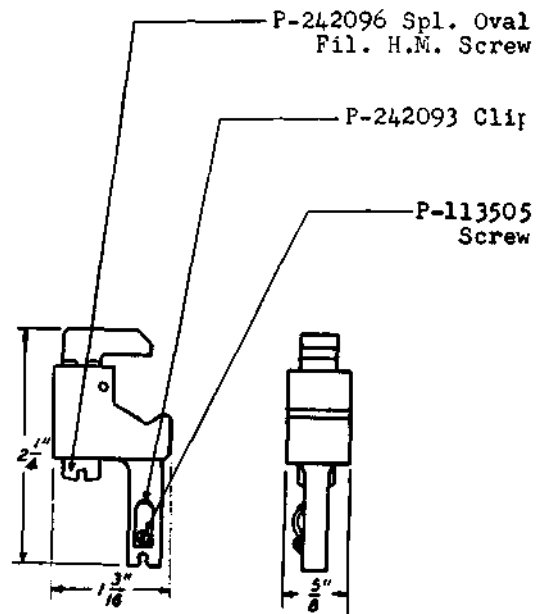
TOOL, 448A



Cross-connection wire puller.

For use in pulling cross-connection wires through distributing frames.

TOOL, 449A



Cord holding detail.

Replaces cord holding detail R-1648, detail 2.

For use on vertical drive shafts.