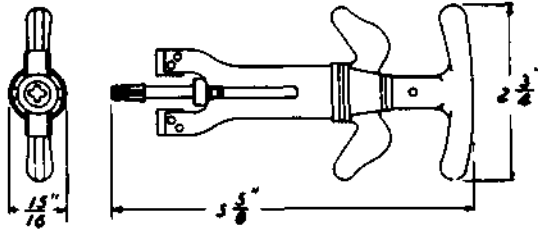


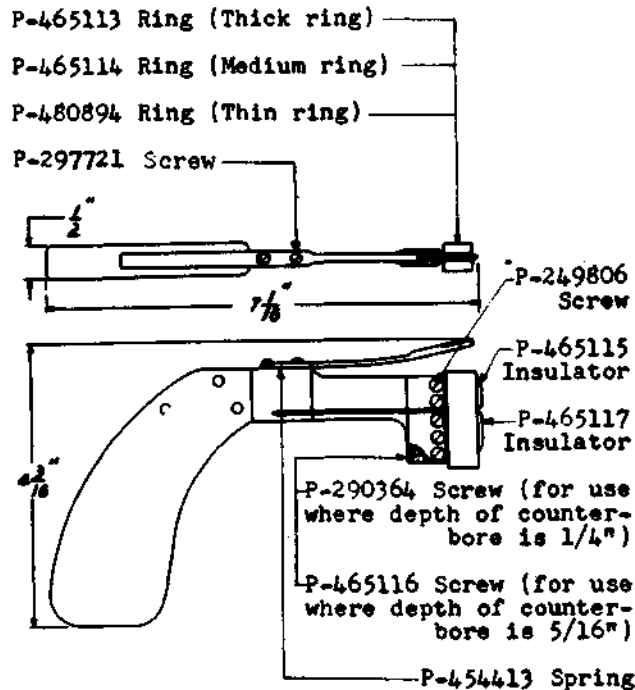
CODED TOOLS  
NO. 478A TO 491A  
DESCRIPTION

TOOL, 478A



Jack sleeve remover.  
For use on 92-type jacks.

TOOL, 479A

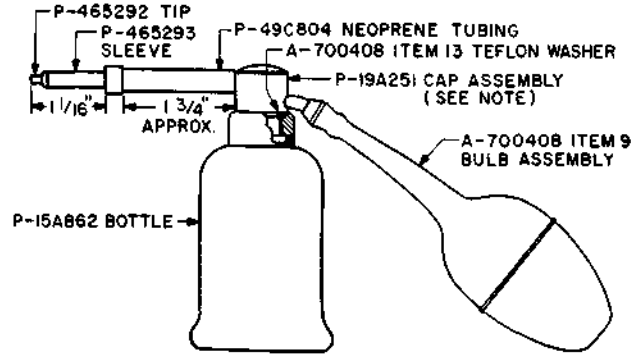


Note: When P-454413 spring is ordered for use on the earlier type tool on which the spring is secured by flat head screws order in addition two P-297721 screws for attaching the spring to the tool. The present type spring is not countersunk for flat head screws.

Bank Contact cleaner. Supplied with 6 rings of each type.

Replaces KS-6669 Bank Contact Cleaner  
For use on panel multiple banks.

TOOL, 480A



Note - When ordering P-19A251 cap assembly also order one A-700408 Item 13 Teflon washer. Thread washer on cap before mounting cap on bottle.

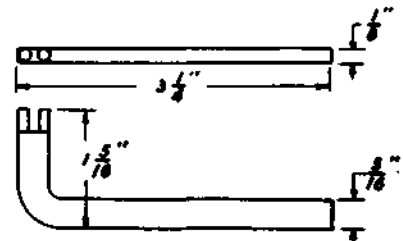
Atomizer

One P-249646 wire is furnished with this tool for cleaning the nozzle.

Parts of tool shown above are interchangeable with all previous models except those having a rubber cap assembly.

For use in lubricating 49-type jacks.

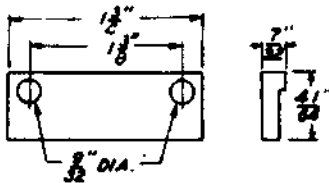
TOOL, 483A



Adjuster.

For use on universal type keys.

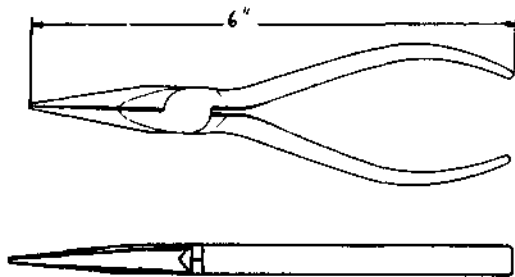
TOOL, 484A



Magnetic shunt.

For use on 209-and 215-type relays.

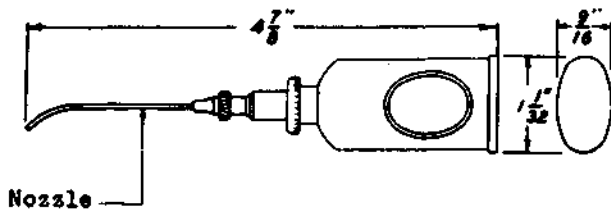
TOOL, 485A



Smooth jaw pliers.

For general use.

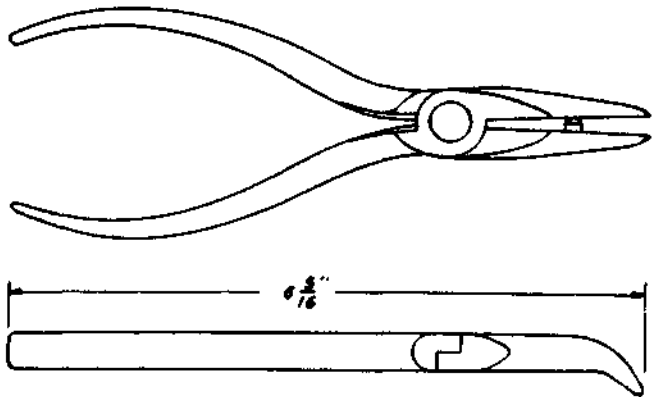
TOOL, 486A



Oil can.

For general use.

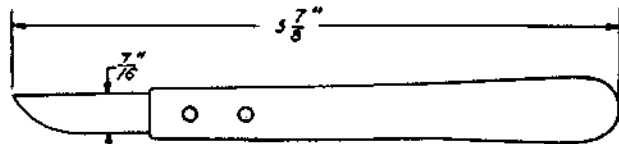
TOOL, 489A



Stud adjusting pliers.

For use on panel multiple brushes.

TOOL, 490A

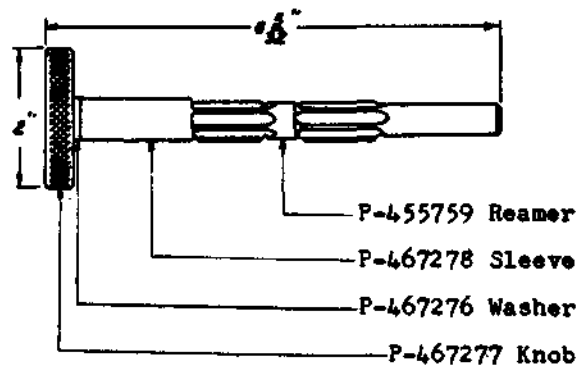


Underlining remover.

Replaces the No. 113B tool.

For use in removing underlining and multiple marking.

TOOL, 491A



Reamer. This tool forms part of the No.1000A tool kit. For use in replacing bushings on reciprocating bar type interrupters.