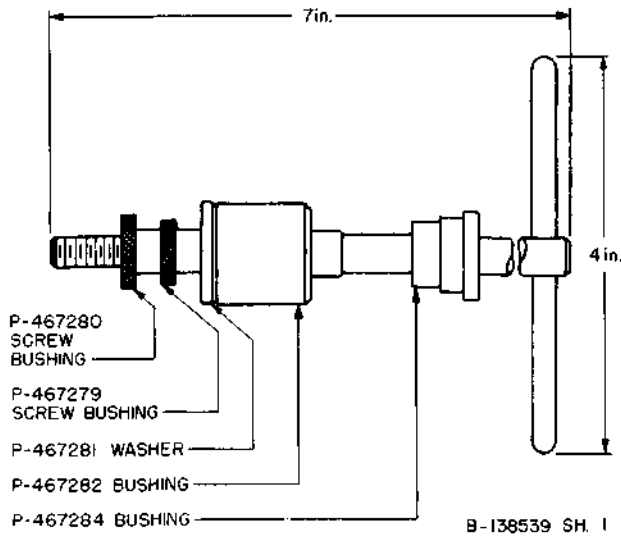


CODED TOOLS

NO. 492A TO 498C

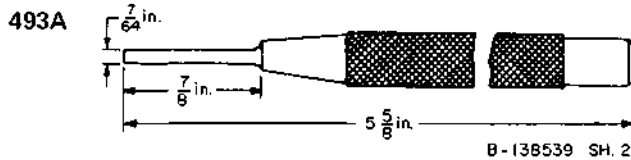
DESCRIPTION

492A



Bushing Remover and Replacer. This tool forms part of the No. 1000A tool kit.

For use in replacing bearings on reciprocating bar-type interrupters.

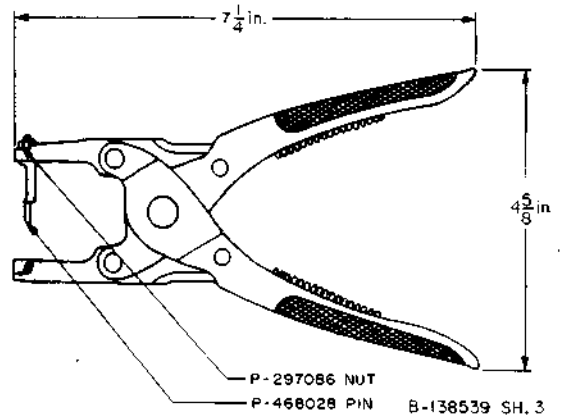


7/64" Pin Punch. This tool forms part of the No. 1000A tool kit. For use in replacing bushings on reciprocating bar-type interrupters.

494A "MFR DISC"

Replaced by the No. 494B tool.

494B

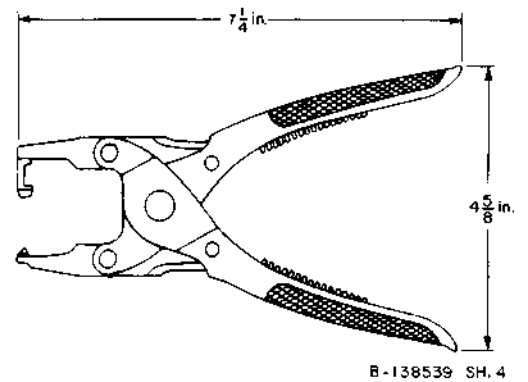


Pawl Pin Remover. This tool forms part of the No. 1001A tool kit.

Replaces the No. 494A tool.

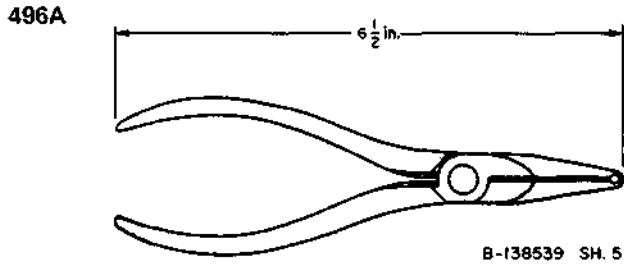
For use in replacing pawl pins on 197- and 198-type switches.

495A



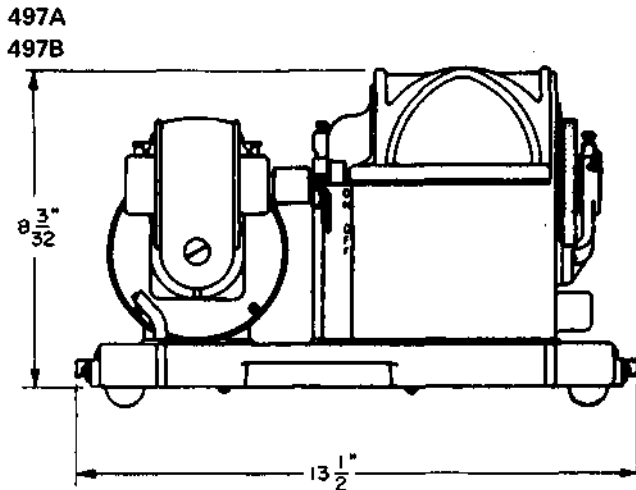
Pawl Pin Replacer. This tool forms part of the No. 1001A tool kit.

For use in replacing pawl pins on 197- and 198-type switches.



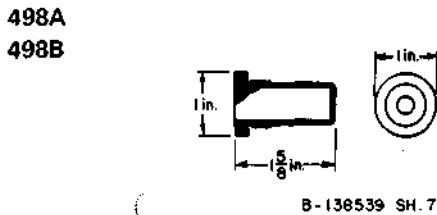
Pin Pliers. This tool forms part of the No. 1001A tool kit.

For use in replacing pawl pins on 197- and 198-type switches.



Plug Cleaners. The No. 497A tool is for a-c operation. The No. 497B tool is for d-c operation.

Intended for use in cleaning plugs at telephone switchboards. The No. 498A, 498B and 498C tools are required for use with these plug cleaners.



Bushing (Adapter)

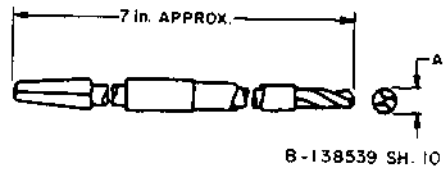
For use with the No. 497A and 497B tools in cleaning plugs at switchboards. The No. 498A tool is arranged to hold 109 and 309 plugs and the No. 498B tool 110 and 310 plugs.



Bushing (Adapter)

For use with the No. 497A and 497B tools in cleaning 47-type plugs at switchboards.

499A	"MFR DISC"
500A	"MFR DISC"
501A	"MFR DISC"
502A	



Replacement Parts

<u>Dim. "A"</u>	<u>Drill</u>	<u>Holder</u>
.252"	P-468575	P-470108

For use in reconditioning horizontal drive shaft couplings.