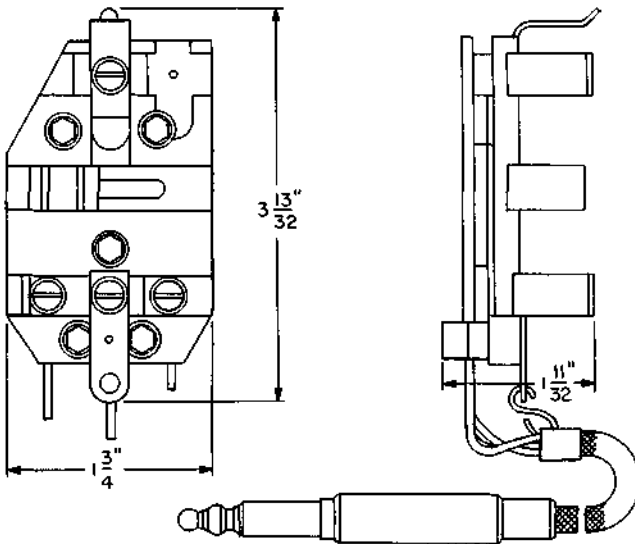


CODED TOOLS
503A TO 518C
DESCRIPTION

TOOL, 503A



Cordshelf connecting tool. Furnished with a W3N cord and a 310 plug.

For use in making connections to cord circuits of number 1 toll switchboards.

Designed to clamp on rolling ladder steps. May also be used with ED-92008-01 mounting bracket or on a flat surface.

See the 721A tool for adapter which may be added to this tool for holding KS-14440 and KS-16346 soldering coppers. This adapter cannot be used with KS-8740 soldering copper.

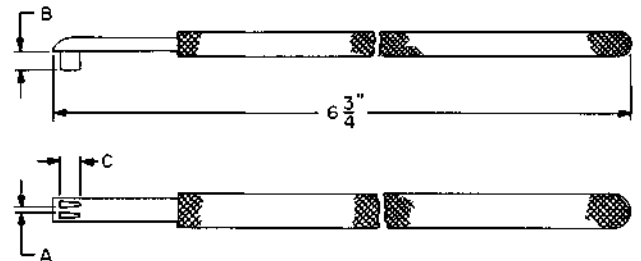
For general use.

TOOL, 505A

TOOL, 506A

TOOL, 506B

TOOL, 507A



TOOL	DIM. A	DIM. B	DIM. C
505A	0.015"	5/32"	5/32"
506A	0.024"	5/32"	5/32"
506B	0.024"	3/32"	3/16"
507A	0.032"	5/32"	5/32"

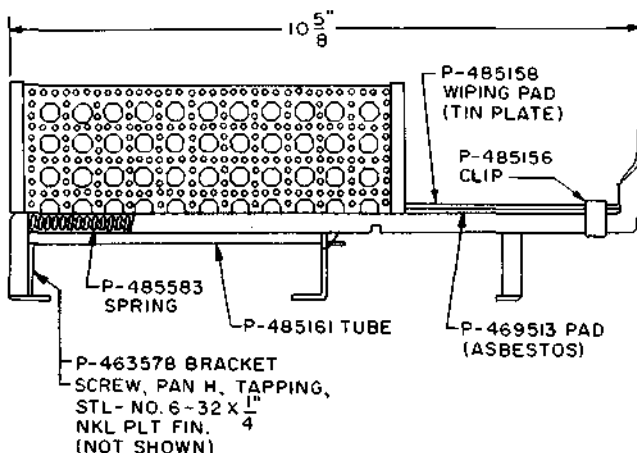
Spring adjusters with insulated handles.

The 506B tool replaces the D-157398 spring adjuster.

The 505A, 506A, and 507A tools are for use on U-, Y-, and similar type relays and 1- and 2-type timers.

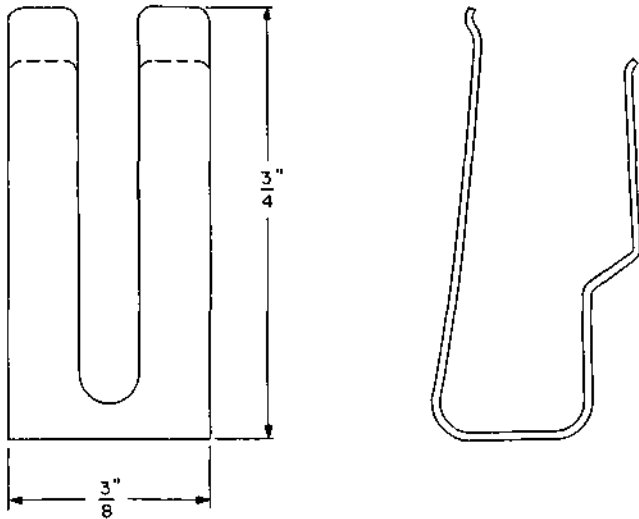
The 506B tool is for use on 444-type jacks.

TOOL, 504A



Soldering copper holder

TOOL, 508A

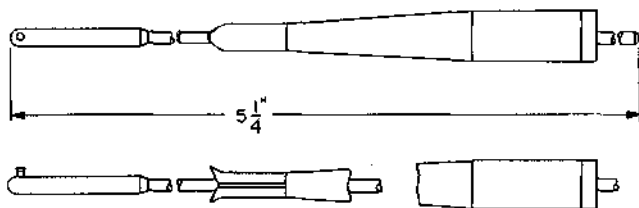


Armature blocking tool.

For use on U-, Y-, and similar-type relays.

◆ Replaced by the 768A tool. ◆

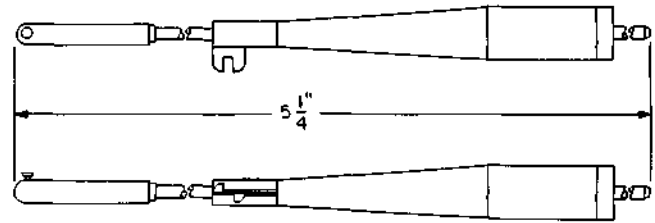
TOOL, 509A



Relay winding connector

For use with a 360-type tool to connect to winding terminals of U-, Y-, and similar-type relays, and 263- and 264-type relays.

TOOL, 509B



Relay winding connector

For use with a 360-type tool to connect to winding terminals of 286-, 287-, and 288-type relays.

TOOL, 510A

"Mfr Disc"

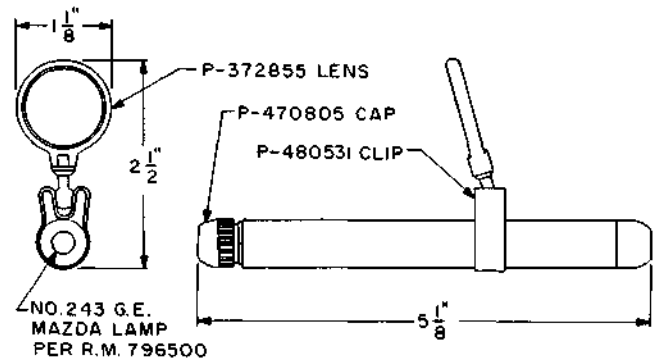
Replaced by the 510B and 561A tools.

TOOL, 510B

"Mfr Disc"

Replaced by the 510C tool.

TOOL, 510C



Note: Use soap and water to clean the lens and then dry with a clean, dry, lint-free cloth. If the surface is dull, use Simonize Wax to restore the lustre.

Portable lamp

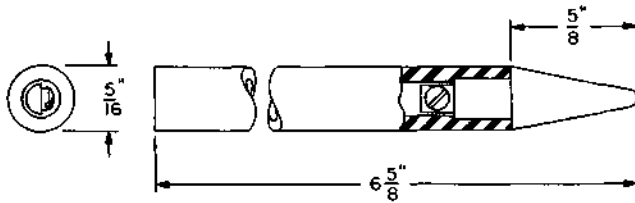
A W2BL cord (48V) or W2CB cord (24V) is required for use with this tool. The resistance of the red conductor of the W2BL cord is approximately 186 ohms and of the W2CB cord approximately 92 ohms.

For use with 561A straight tip, 562A or 562B offset tip.

This tool with the 561A tool (straight tip) replaces the 510B tool.

For use in examination of small areas such as relay stud gaps.

TOOL, 513A

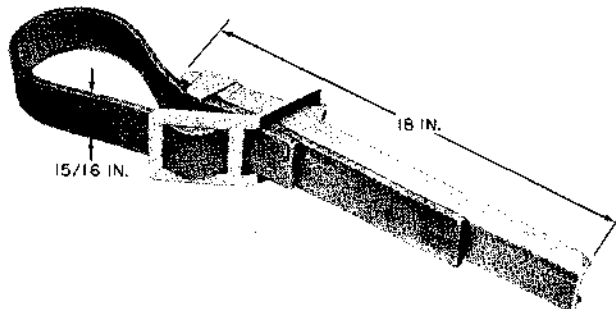


Test pick

A W2BJ cord and a 47B plug are required when this tool is used with the 108A amplifier.

For use in toll and exchange cable testing.

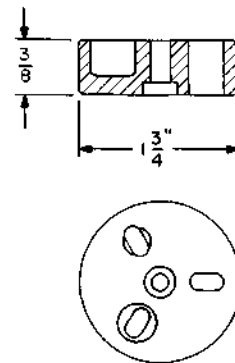
TOOL, 514C



Adjustable strap wrench

For use by telephone repairmen and installers for tightening and loosening the transmitter caps on handsets.

TOOL, 515A



Block

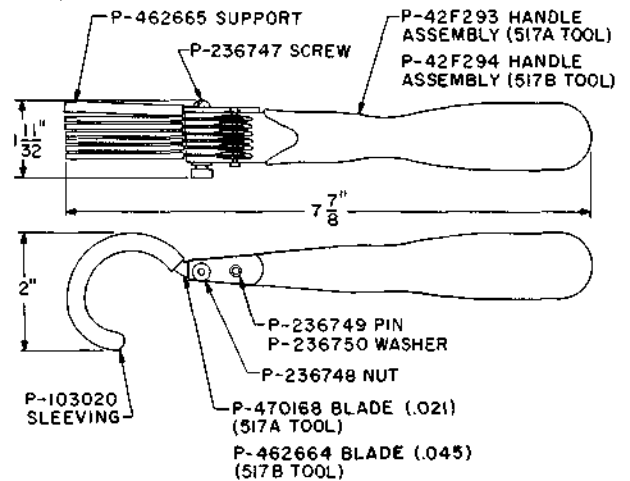
For use in placing 1A or 2A cushions on the 557A tool.

TOOL, 516A

"Mfr Disc"

TOOL, 517A

TOOL, 517B



Bank contact cleaners

The blades and support of the 402E tool may be used in the handle of the 517A tool.

The 517A tool replaces the 402D tool.

The 517A tool is used in cleaning the contacts of 200-point banks of 197-type switches.

The 517B tool is used in cleaning the contacts of 100-point banks of 197-type switches and 40-point banks of 198-type switches.

TOOL, 518A

"Mfr Disc"

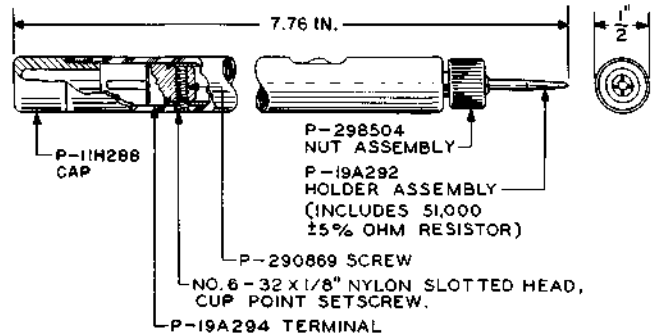
Replaced by the 518B tool.

TOOL, 518B

"Mfr Disc"

Replaced by the 518C tool.

TOOL, 518C



Adjustable test pick consists of an insulated handle containing a 51,000 ±5% ohm resistor, switch, and chuck. Connects with 360-type tool.

For use with the 67C test set.