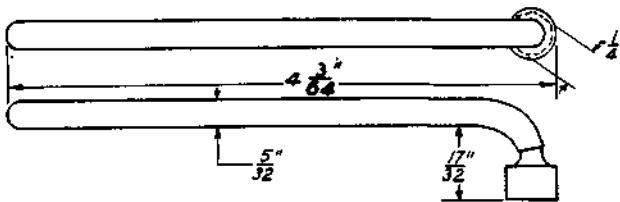


CODED TOOLS
NO. 543A TO 554A

DESCRIPTION

TOOL, 543A Manufacture Discontinued.
Replaced by the No. 569A tool.

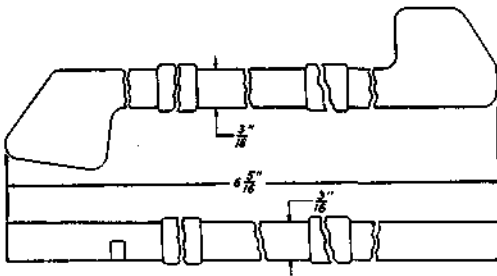
TOOL, 544A



1/4" Hex. offset socket wrench.

For use on 245- and 254-type relays, 216-type switches, and 300- to 308-type switches, inclusive.

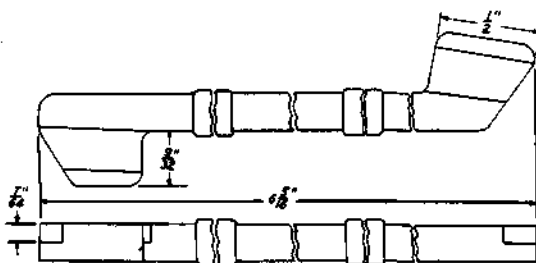
TOOL, 545A



Adjuster.

For use on 245, 254, 263- and 264-type relays.

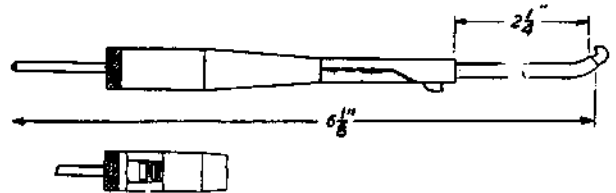
TOOL, 546A



Adjuster.

For use on 245- and 254-type relays.

TOOL, 547A

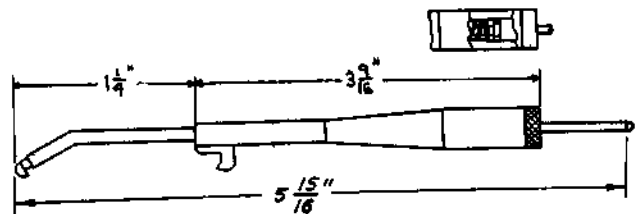


Magnet winding connector.

Used in conjunction with the 360 type tool.

For use on 245- and 254-type relays, 300 and similar type switches and 1 and 2 type timers.

TOOL, 548A

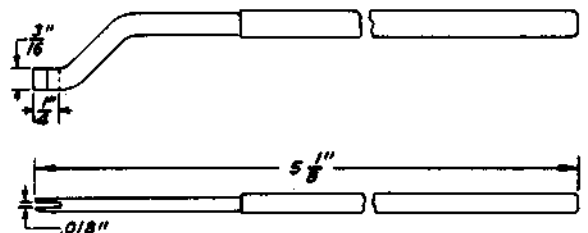


Magnet winding connector.

Used in conjunction with the 360 type tool.

For use on 300- and similar-type switches.

TOOL, 549A

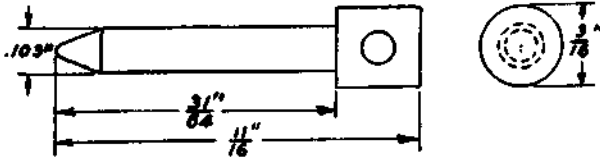


Spring adjuster.

For use on 300- and similar-type switches.

TOOL, 550A Manufacture Discontinued.
Replaced by the No. 550B Tool.

TOOL, 550B

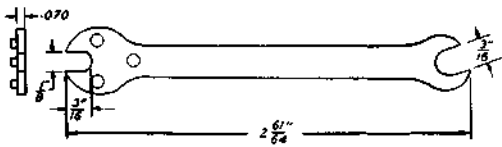


Cutover tool.

Replaces the No. 550A tool.

For use on 300- and similar-type switches.

TOOL, 551A



Combination wrench.

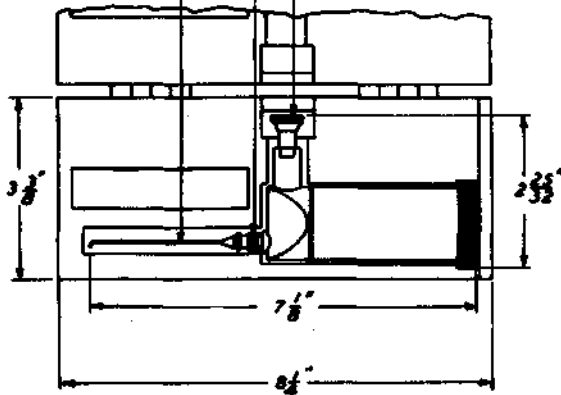
For use on 1-type timers.

TOOL, 552A

P-233336 Knob

P-233340 Washer

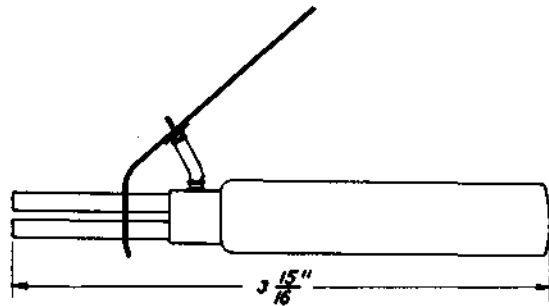
P-298647 Nozzle



Oil gun.

For use on 1-type timers and reciprocating bar interrupters.

TOOL, 553A

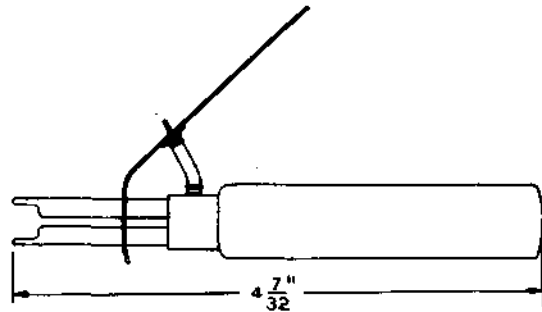


Lamp extractor

The No. 553A tool replaces the No. 116 tool.

For use in removing switchboard lamps.

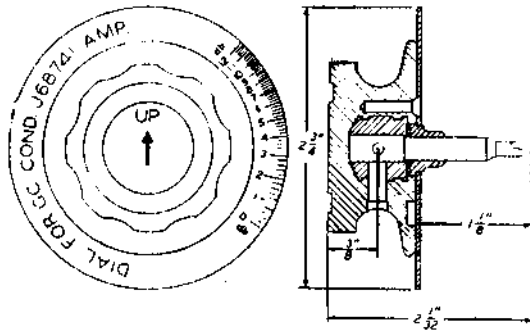
→ TOOLS, 553C



Lamp extractor

For use in removing No. 2 telegraph service board lamps.

TOOL, 554A



Screwdriver dial.

For use in adjusting gain of type K carrier line amplifier J68741A.