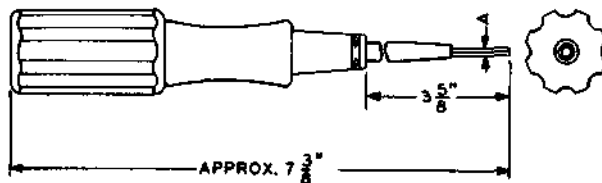


CODED TOOLS
NO. 643A TO 650A

DESCRIPTION

TOOL, 643A
TOOL, 643B



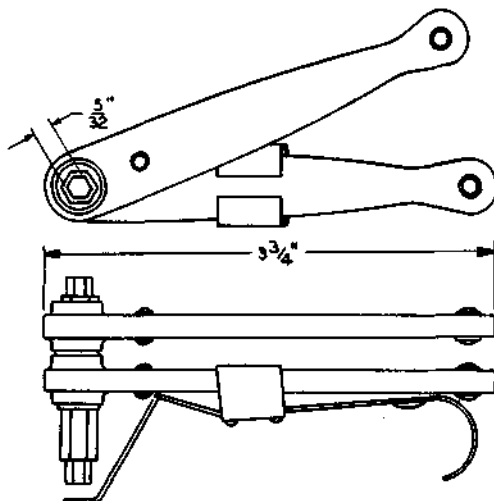
Wrenches for hexagonal socket-head screws

Tool No.	Dim. A	Screw Size
643A	.062"	Nos. 5 and 6
643B	.078"	No. 8

Replace the D-176938 and D-176939 tools, respectively.

For use on the KS-13882 perforators.

TOOL, 644A

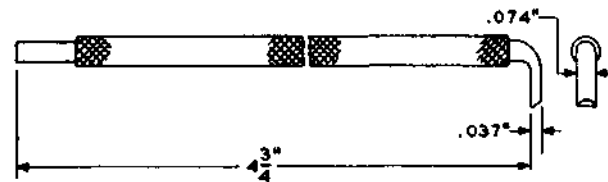


Ratchet wrench for 5/32" Allen socket-head screws.

Replaces the D-176940 tool.

For use on the KS-13882 perforators.

TOOL, 645A

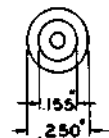
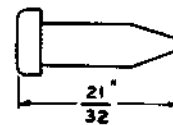


Pull finger.

Replaces the D-173699 tool.

For use in conjunction with the No. 79C gauge on the KS-13882 perforators.

TOOL, 646A

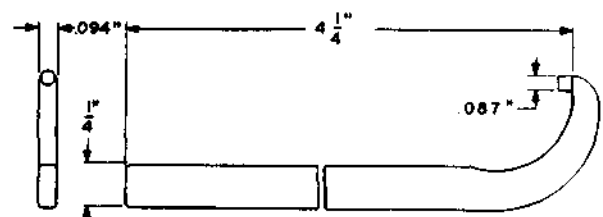


Ratchet release pin.

Replaces the D-178123 tool.

For use on the KS-13835 readers.

TOOL, 647A



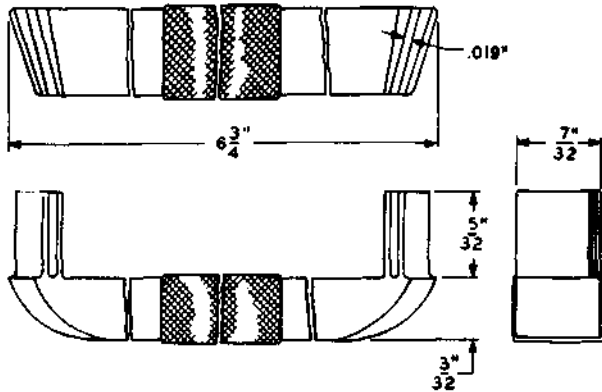
Spanner wrench.

Replaces the D-178690 tool.

For use on the KS-13835 readers.

SECTION 074-137-101

TOOL, 648A

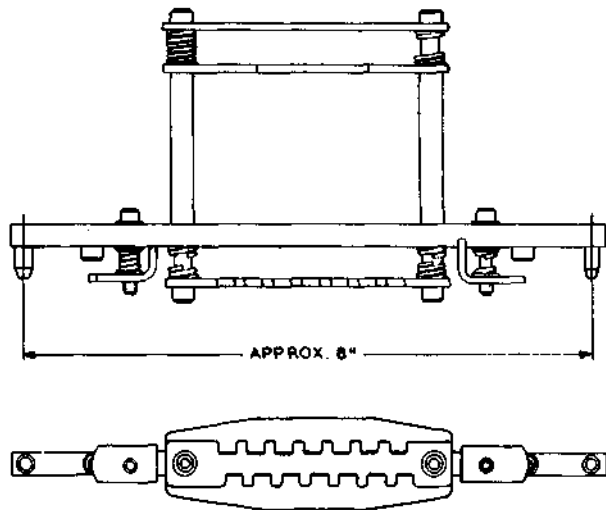


Spring adjuster.

Replaces the D-178347 tool.

For use on the KS-13835 readers.

TOOL, 649A

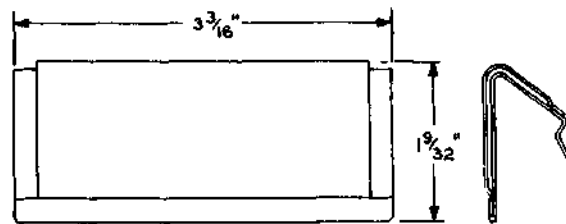


Pin locking tool.

Replaces the D-178386 tool.

For securing the perforator pins on a KS-13882 perforator during shipment in the KS-14131 carrying case.

TOOL, 650A



Guard

Replaces the D-178346 tool.

For use on the KS-13882 perforators to cover the points of the static eliminator to protect the hands of the operator when making adjustments.