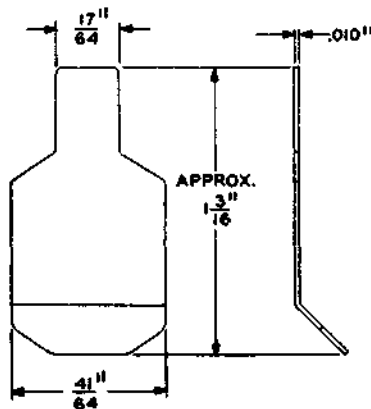


CODED TOOLS  
NO. 656A TO 664A

DESCRIPTION

TOOL, 656A



Insulator

For insulating movable break contact springs on AF-, AG-, and AJ-type relays when replacing cards on relays equipped with contact cover springs.

→ TOOL, 658A      Manufacture Discontinued.  
Replaced by the No. 658B Tool.

→ TOOL, 658B

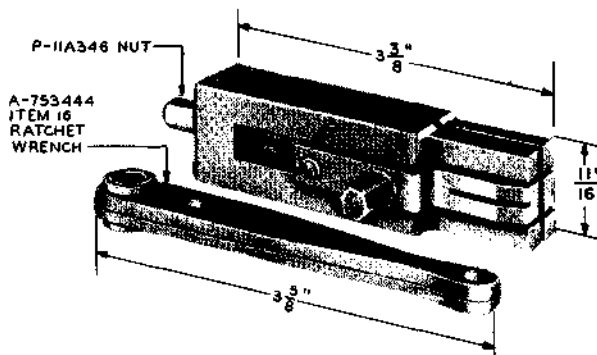


FIG.2-658      TERMINAL EXTRACTOR

Terminal extractor

For use in replacing terminals of cast resin type terminal strips.

TOOL, 659A      Manufacture Discontinued.  
Replaced by the No. 659B Tool.

TOOL, 659B

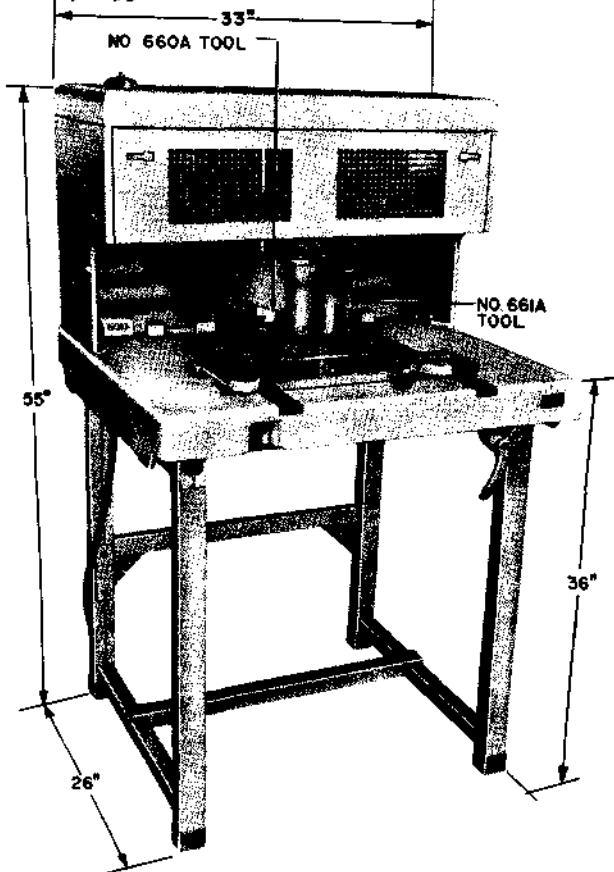


FIG.3-NO.659B CARD CODING TOOL

Card coding tool

The No. 660A and 661A tools are parts of the No. 659B tool.

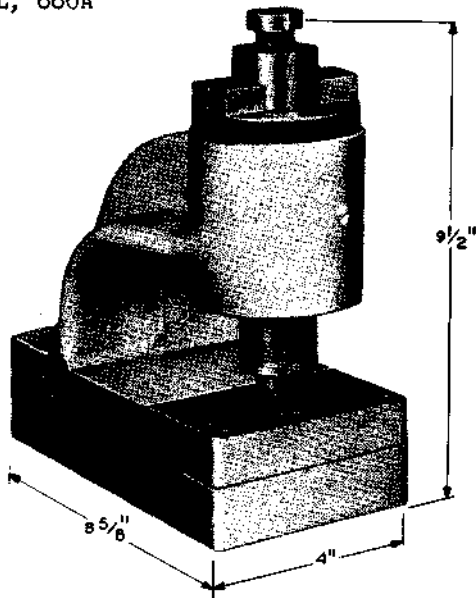
The following items are furnished with the No. 659B tool;

Four P-11A585 Spacers, used at bottom of table legs to level the No. 659B tool.

Replaces the No. 659A tool.

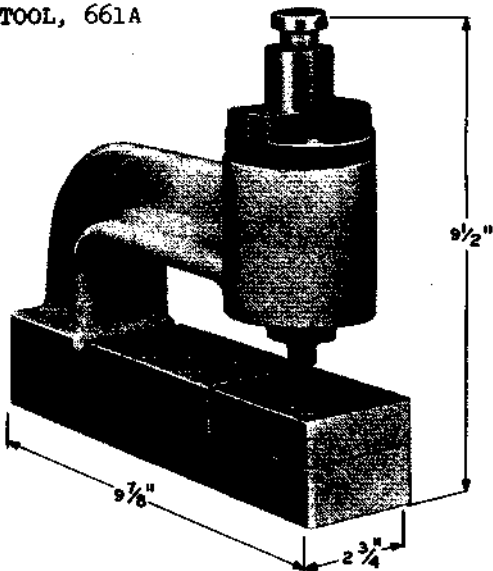
For use in coding cards from blanks for 1-type translators.

TOOL, 660A



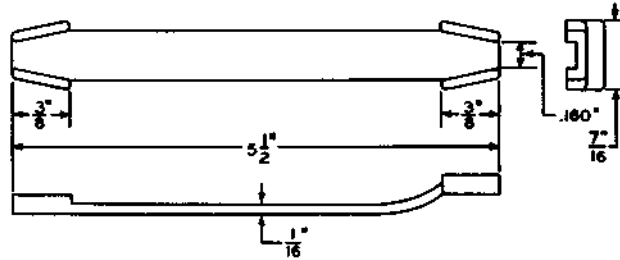
Hole-enlarging punch and die assembly  
This tool forms part of the No. 659B tool.

TOOL, 661A



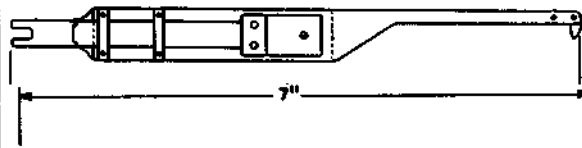
Tab-clipping punch and die assembly  
This tool forms part of the No. 659B tool.

TOOL, 662A



Adjuster  
For adjusting the adjusting lugs of wire spring multi-contact relays.

TOOL, 664A



Operating spring stud cap mounting tool  
For use in installing operating spring stud caps on worn studs of 245-, 254-, 263-, and 264-type relays.