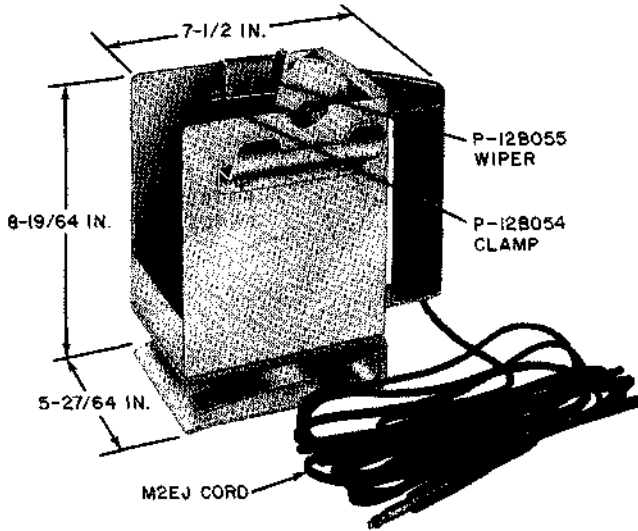


**CODED TOOLS**  
**707A TO 721A**  
**DESCRIPTION**

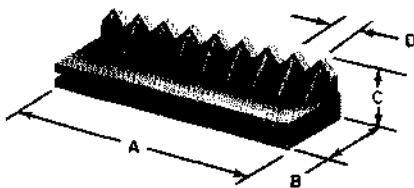
**707A**



This tool, together with 708A, 708B, 709A and 709B tools, replaces the KS-13503 Compound Remover.

For use in removing contact protectant compound from 708A and 708B tools.

**708A**  
**708B**



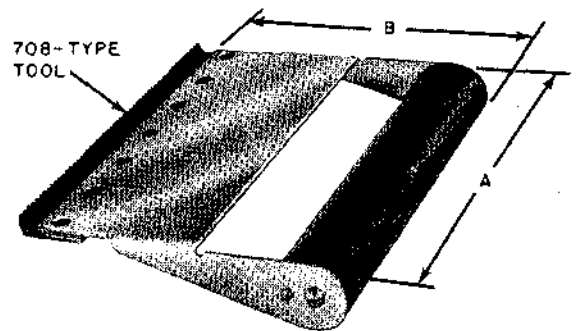
Strip of 9 rubber teeth

TOOL	DIMENSIONS			
	A	B	C	D
708A	1-1/8"	1/2"	23/64"	.125"
708B	1-1/2"	1/2"	23/64"	.166"

These tools, together with 707A, 709A, and 709B tools, replace the KS-13503 Compound Remover.

Six 708A tools, mounted in a 709A tool, are used to remove contact protectant compound from panel selector bank terminals. Two 708B tools, plus 3 or 4 teeth from a third 708B tool, mounted in a 709B tool, are used to remove compound from panel finder bank terminals.

**709A**  
**709B**



Handle (shown with 708-type tools forming comb for removing contact protectant compound.)

TOOL	DIMENSIONS	
	A	B
709A	7-19/64"	5-3/4"
709B	4-13/64"	5-3/4"

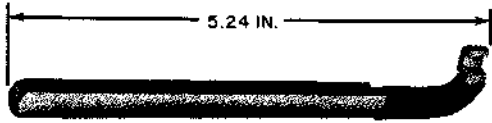
These tools, together with 707A, 708A and 708B tools, replace the KS-13503 Compound Remover.

The 708A and 708B tools must be ordered separately.

The 709A tool, fitted with six 708A tools, is used in removing contact protectant compound from panel selector bank terminals. The 709B tool, fitted with two 708B tools plus 3 or 4 teeth from a third 708B tool, is used in removing

contact protectant compound from line finder bank terminals.

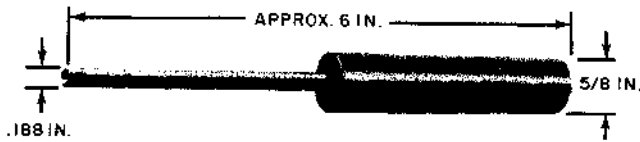
711A



Adjuster

For use in adjusting the upper armature support lug on all crossbar switches.

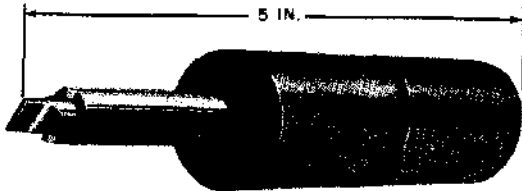
712A



Female screwdriver

For use in adjusting the 1548-type inductors of the 486-type networks in ANI identifier frame.

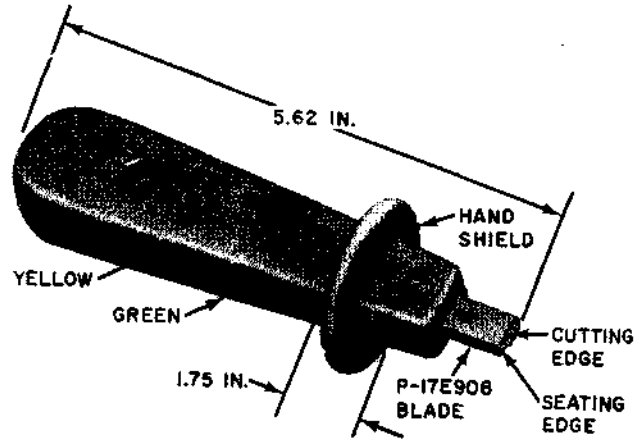
713A



Combination screwdriver and pin wrench

For use as an accessory of the J68412A protection switching test set for adjusting and locking the slugs of the 1509-type inductor.

714B



Wire inserter

For use in making cross-connections on 66-type connecting blocks.

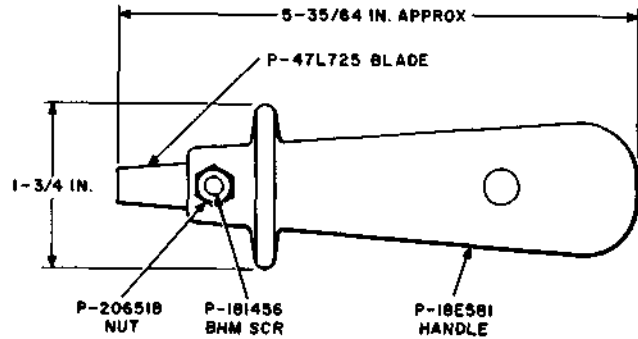
714C

"Mfr Disc."  
Replaced by the 714E tool.

714E

"Mfr Disc."  
Replaced by the 714E2 tool.

714E2

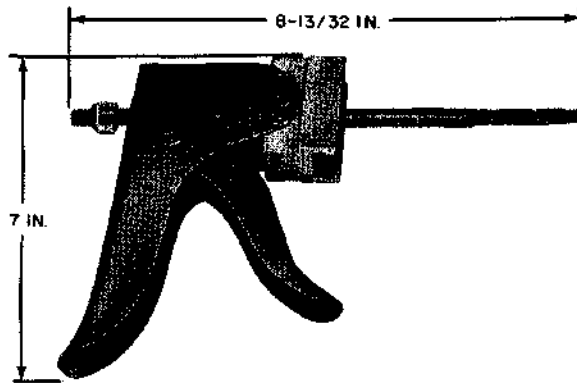


Wire inserter

Replaces the 714E tool.

For use in making cross-connections on the 66G- and 66H-type connecting blocks.

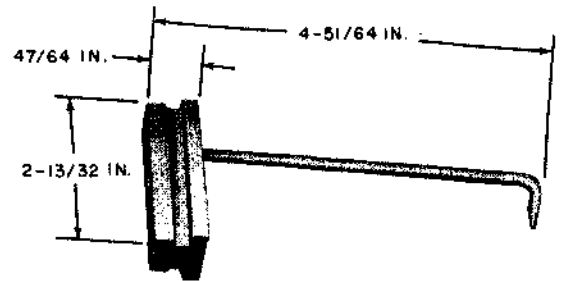
715A



Ratchet handle

This tool forms part of 1014B tool kit.  
For use in conjunction with 716A and B tools when replacing coils of AF-, AG-, AJ-, and AK-type relays.

716B



Ratchet head

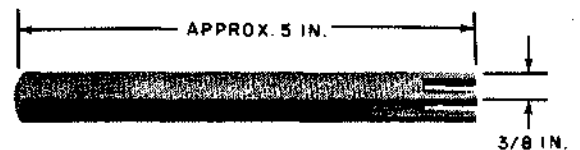
This tool forms part of 1014B tool kit.  
For use in conjunction with 715A tool when replacing coils of AK-type relays.

717A

"Mfr Disc."

Replaced by the 717B tool.

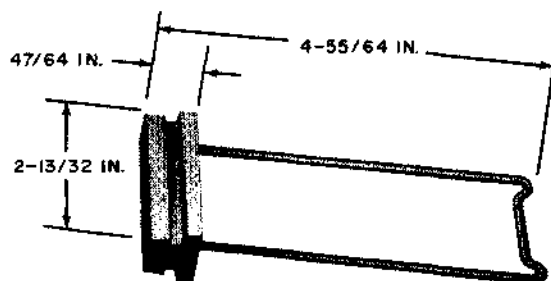
717B (replaces 717A tool)



Coil Setter

This tool forms part of 1014B tool kit.  
For use in replacing coils of AF-, AG-, AJ-, AK-, 286-, 287-, and 288-type relays.

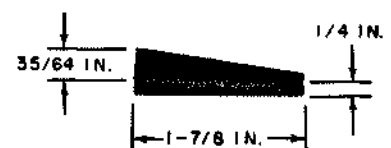
716A



Ratchet head

This tool forms part of 1014B tool kit.  
For use in conjunction with 715A tool when replacing coils of AF-, AG-, and AJ-type relays.

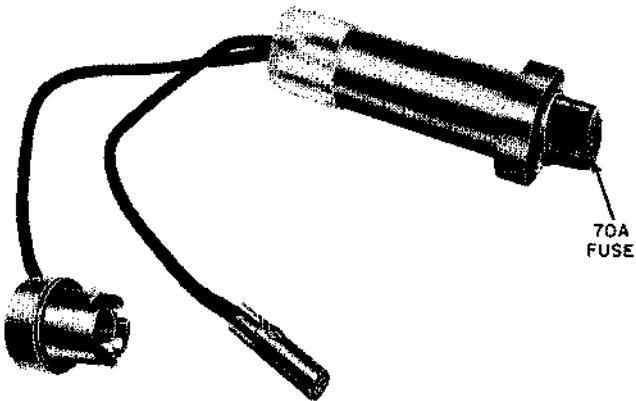
718A



Wedge

This tool forms part of 1014B tool kit.  
For use in replacing coils of AF-, AG-, AJ-, and AK-type relay coils.

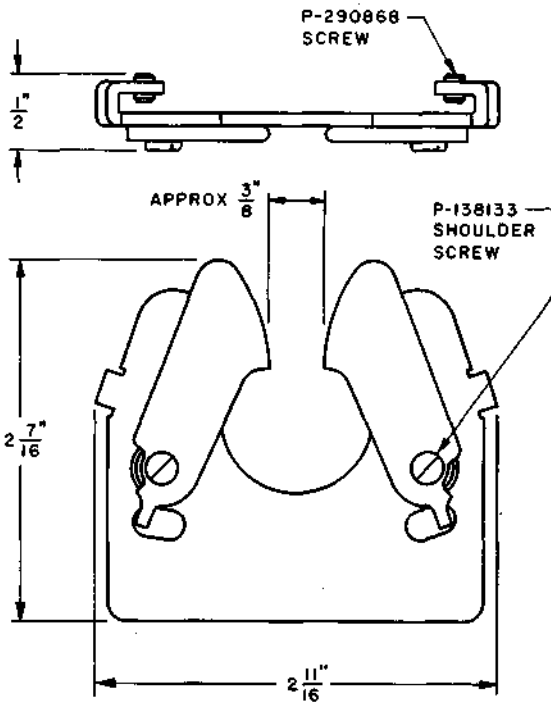
720A



Test battery pickup for use with 70-type fuse mountings.

For use in picking up test battery at front of fuse panels by connection to 70-type fuses not associated with circuits in service.

721A



Adapter

For use in adapting the 504A tool for holding KS-14440 or KS-16346 Soldering Coppers.