

TOOLS

ADJUSTERS I - DESCRIPTION

1. GENERAL

1.01 This section covers coded Bell System adjuster tools.

1.02 When this section is reissued, the reason for reissue will be listed in this paragraph.

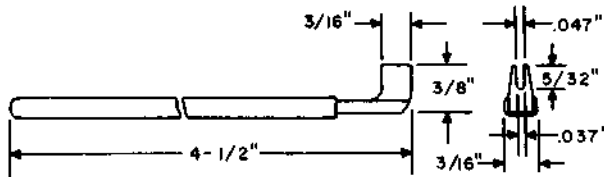
1.03 The information contained in this section supersedes the corresponding information in Sections 074-101-101, 074-102-101, 074-103-101, 074-104-101, 074-105-101, 074-106-101, 074-107-101, 074-108-101, and 074-109-101.

1.04 See tool index for other Adjuster practices.

50 MFR DISC

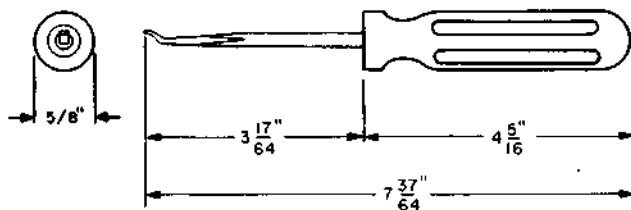
Replaced by the 50B tool.

50B



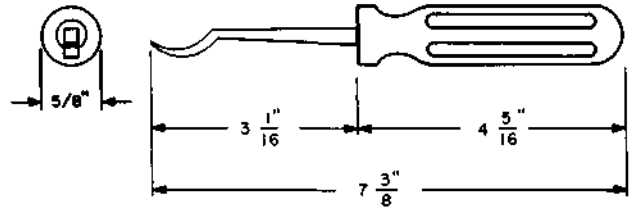
Spring adjuster. Replaces the 50 and 327 tools. For use on the 111- and similar-type relays and elevator apparatus.

117



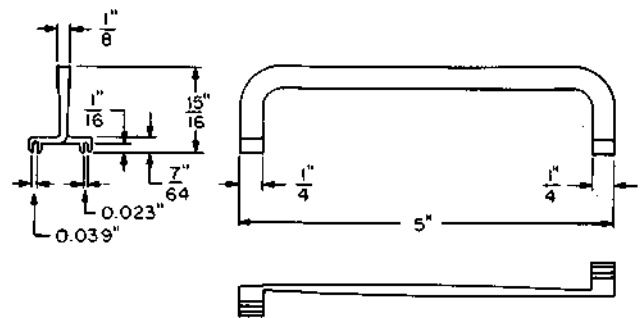
Jack tip and ring spring adjuster. For use on the 49-, 92-, and 292-type jacks.

118



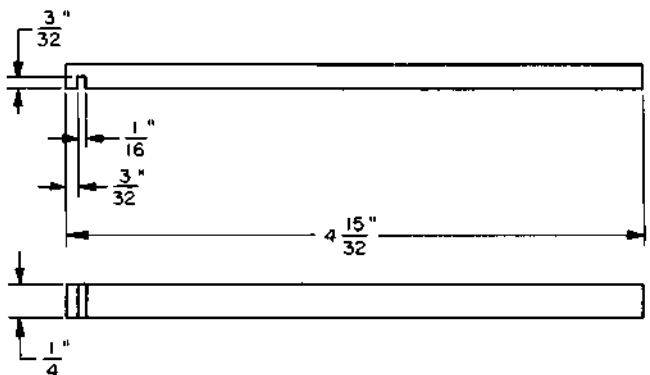
Jack ring spring adjuster. For use on the 92- and 292-type jacks.

130



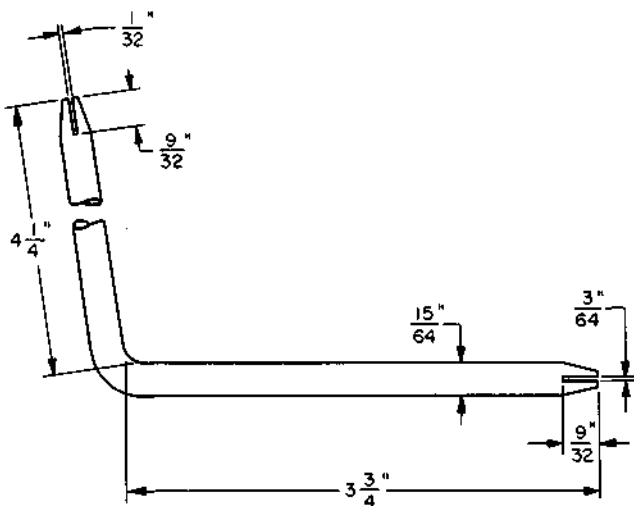
Spring adjuster. For use on round-type relays.

138



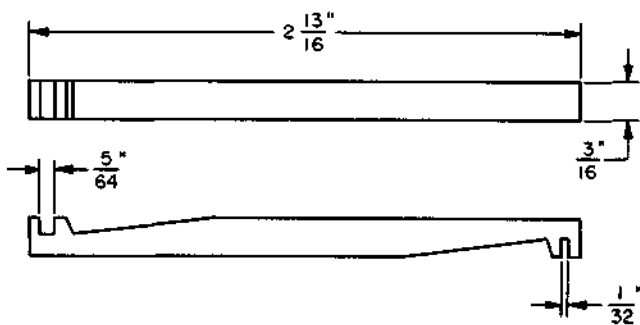
For use on the 5-type traffic registers and power driven rotary selectors.

143



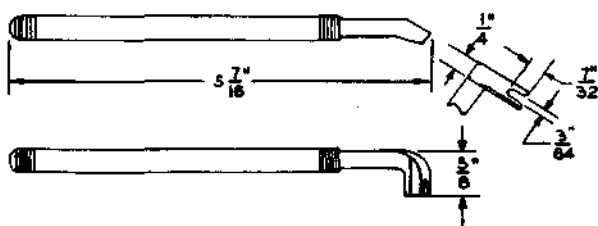
Spring adjuster. For general use.

179



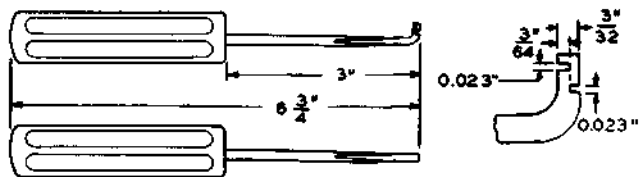
Spring adjuster. For use on the 197- and 198-type switches, 50-type dial testers, and power driven rotary selectors.

215



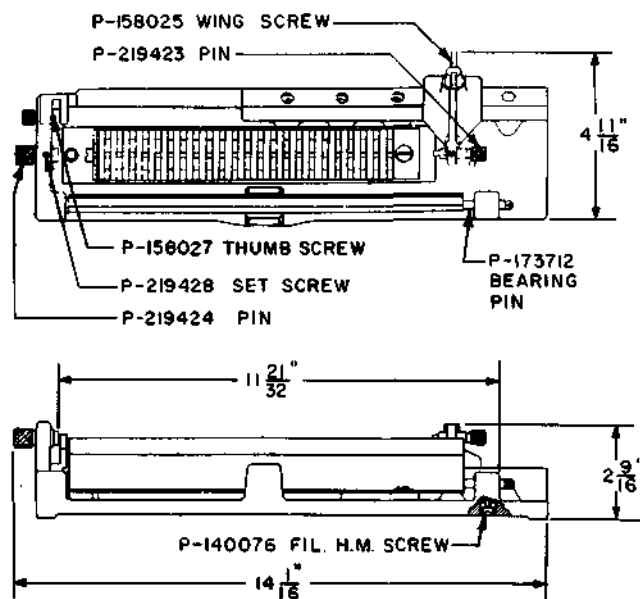
Spring adjuster. For general use.

224



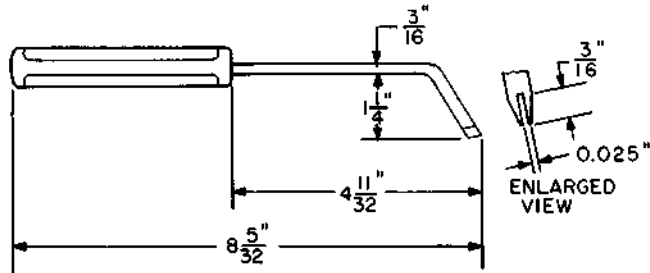
Spring adjuster. For use on regulators, the 10- and 14-type commutator brushes, and the KS-13835 readers of the AMA System.

225B



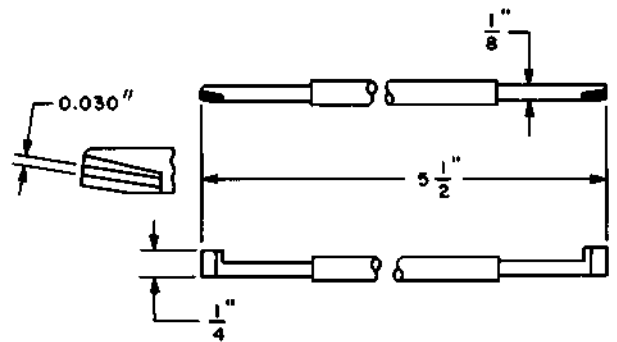
Cam aligning fixture. Consists of a metal base with fixtures for mounting a sequence switch cam shaft assembly. Provided with a straight edge for marking and realigning the cams and clamp to hold the cam shaft assembly rigid. Replaces the 225 tool. For use on A- and B-type sequence switches.

235



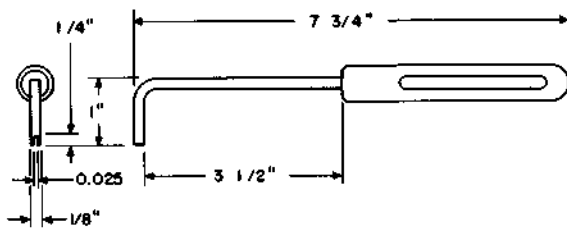
Spring adjuster. For use on 155A and 157-type interrupters, and A- and B-type and spring driven sequence switches.

268



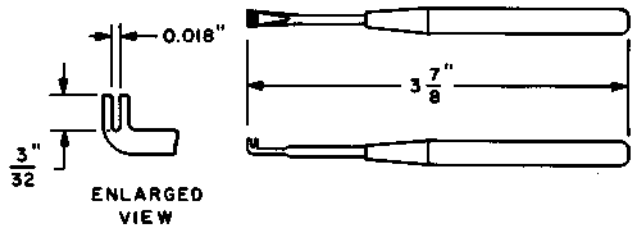
Spring adjuster. For use on Stromberg Carlson relays.

256



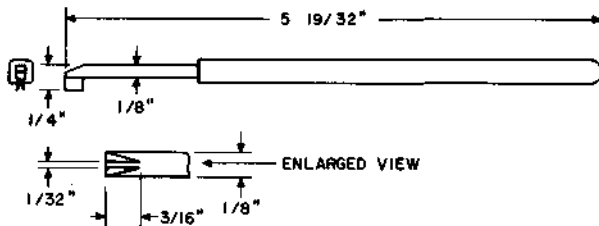
Spring adjuster. For general use.

270



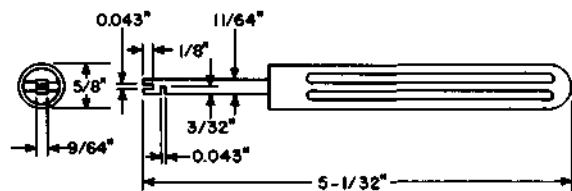
Spring adjuster. For use on precision-type interrupters and Stromberg Carlson relays.

259



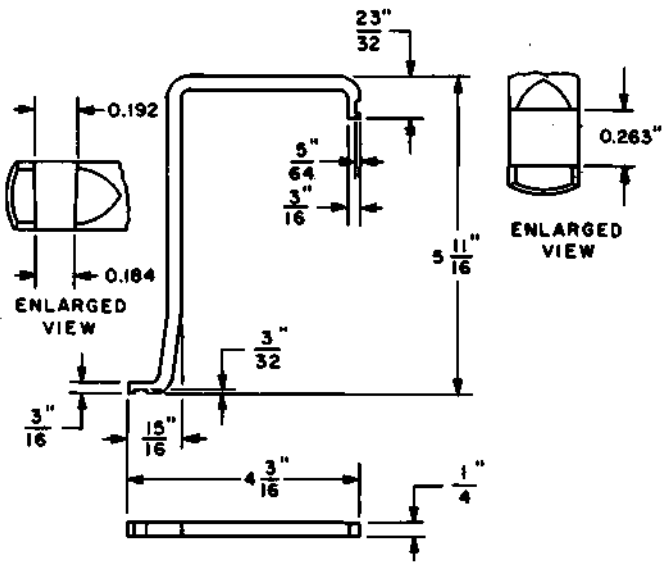
Spring adjuster. Replaces the 142 tool. For general use.

264



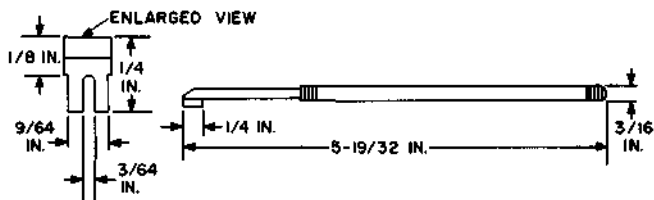
Retractable spring lug adjuster. For use on the 208- and 214-type relays.

273



Replaces the 223 tool. For use on panel clutches, 197- and 198-type switches, and panel multiple banks.

300



Spring adjuster. For general use.

301

MFR DISC

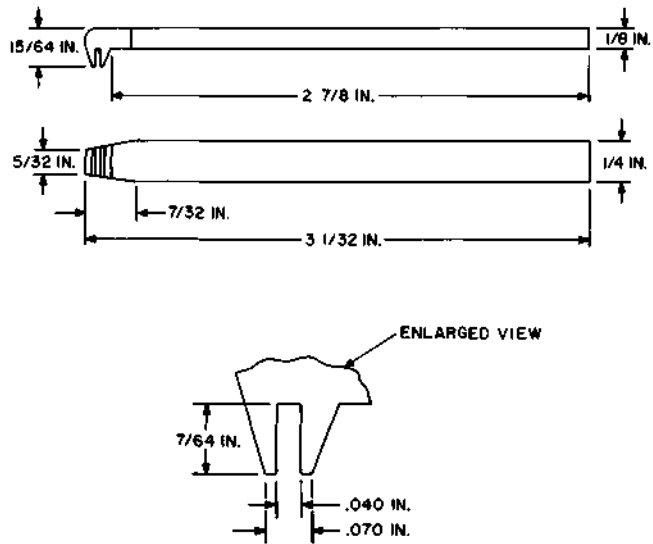
Replaced by the 379A tool (Section 074-202-119).

302

MFR DISC

Replaced by the 363 tool (Section 074-202-119).

303



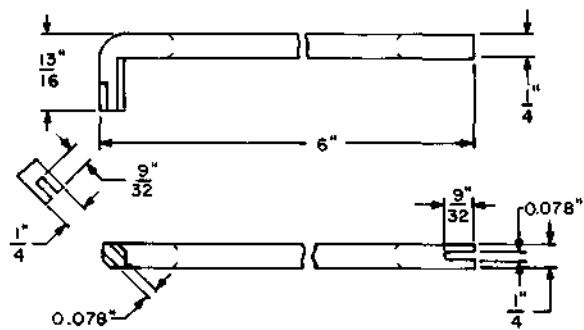
Spring adjuster. Replaces the 105 and 234 tools. For general use.

325

MFR DISC

Replaced by the 325B tool.

325B



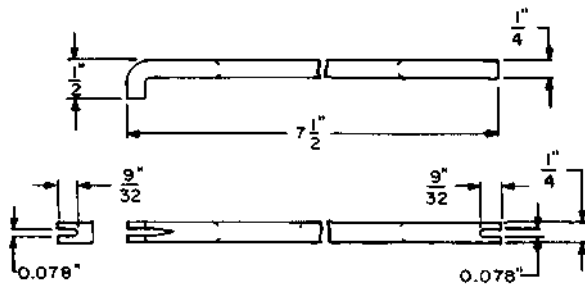
Replaces the 325 tool. For use on clutches, panel elevator apparatus, 200-, 204-, and 206-type selectors, and panel multiple bank guide combs.

326

MFR DISC

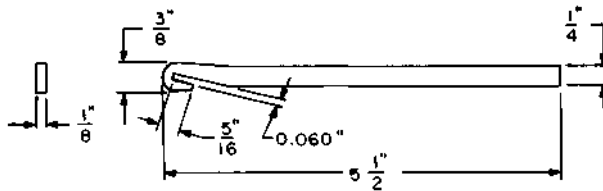
Replaced by the 326B tool.

326B



Replaces the 326 tool. For use on clutches, 50A drives, panel elevator apparatus, and L-, N-, and S-type relays.

328



Guide adjuster. For use in adjusting 1-type guides.