

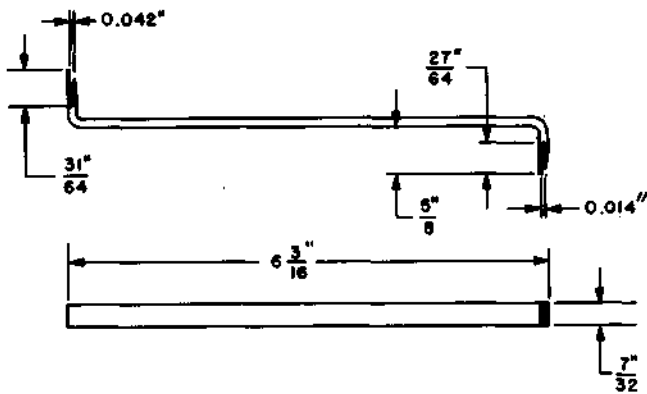
TOOLS

ADJUSTERS II - DESCRIPTION

1. GENERAL

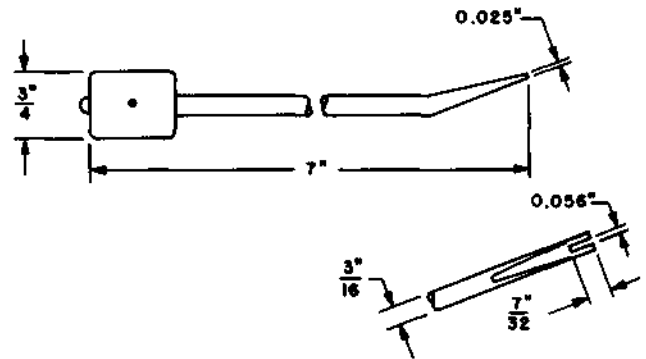
- 1.01 This section covers coded Bell System adjuster tools.
- 1.02 When this section is reissued, the reason for reissue will be listed in this paragraph.
- 1.03 The information contained in this section supersedes the corresponding information in Sections 074-110-101, 074-111-101, 074-112-101, 074-113-101, 074-114-101, 074-117-101, 074-118-101, 074-121-101, and 074-122-101.
- 1.04 See tool index for other Adjuster practices.

330B



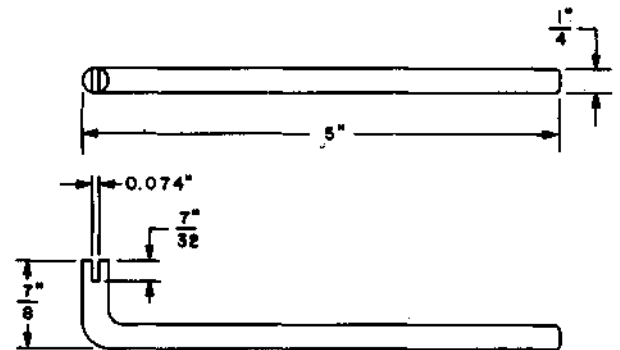
Replaces the 330 tool. For use on panel line finder, trunk finder, and call distributing "B" link elevator apparatus.

331



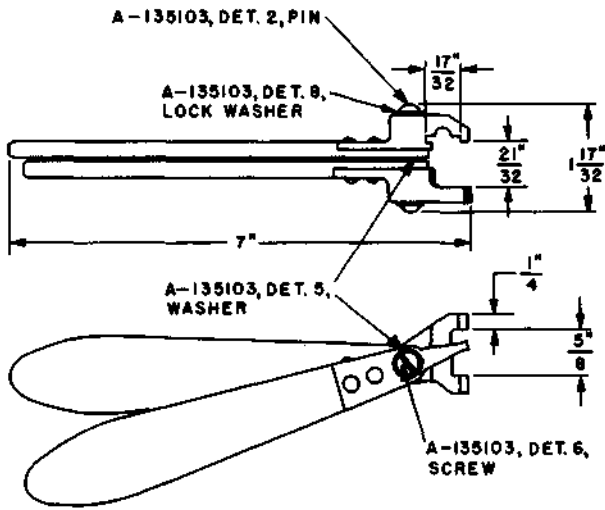
Spring adjuster. For use on panel elevator apparatus.

332



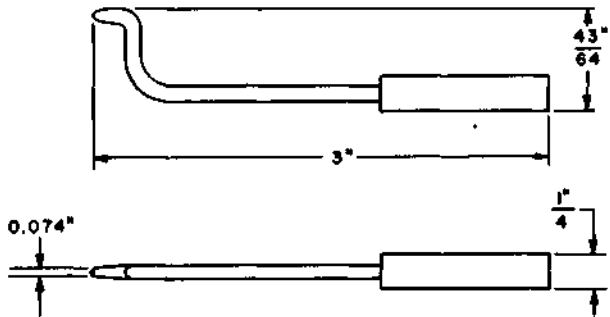
For use on 204-type selectors and 25-point rotary switches.

335



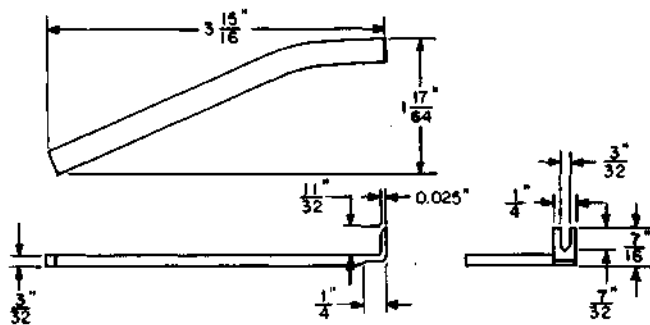
Front stop-lug adjuster. For use on 4-, 5-, 6-, and 7-type clutches.

340



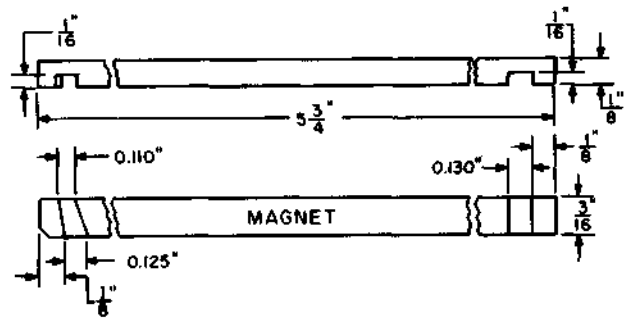
Adjusting key. Replaces the 212 tool. For use on polarized and 267-type relays.

350



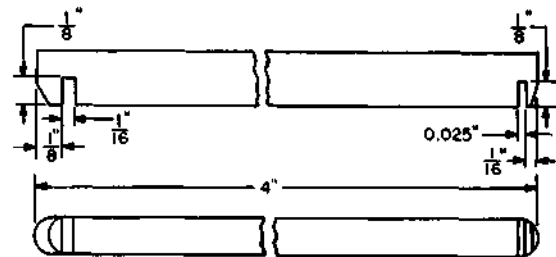
Spring adjuster. For use on gravity-type relays.

355



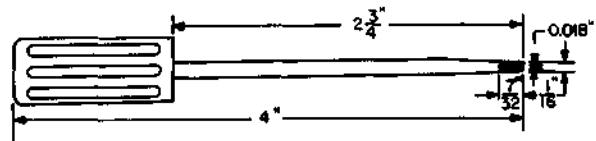
For use on E1- and E2-type keys.

356



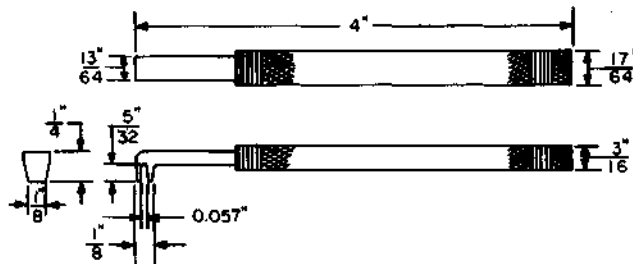
For use on E1- and E2-type keys.

363



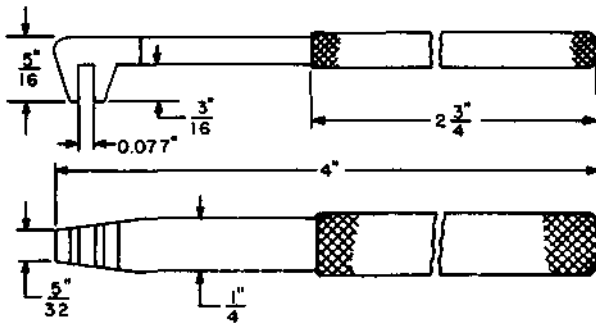
Spring adjuster. Replaces the 302 tool. For general use.

371



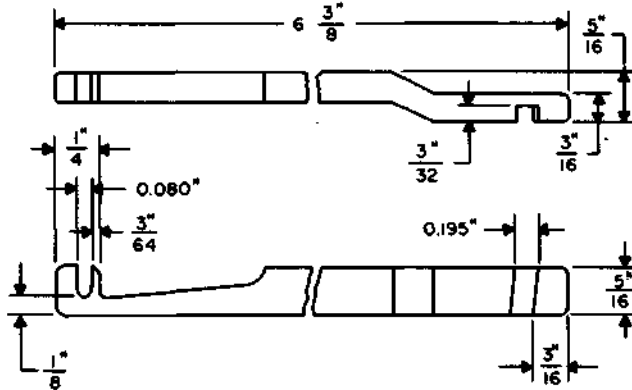
Spring adjuster. Replaces the 98 tool and the R-69710 spring adjuster. For general use.

371B



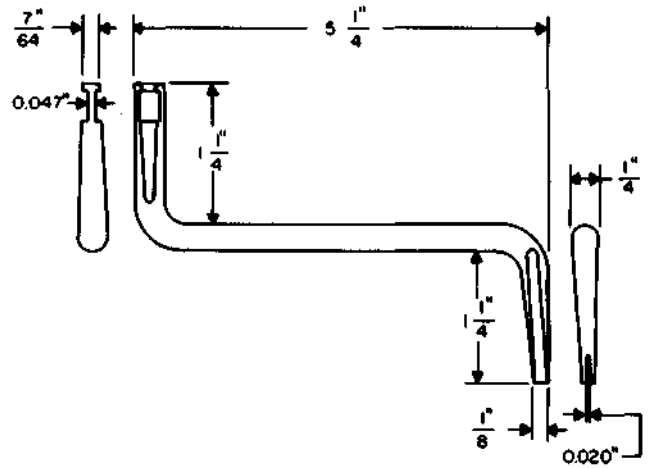
Spring adjuster. Replaces the D-178349 tool. For use in adjusting the retractile springs of KS-13835 readers.

379A



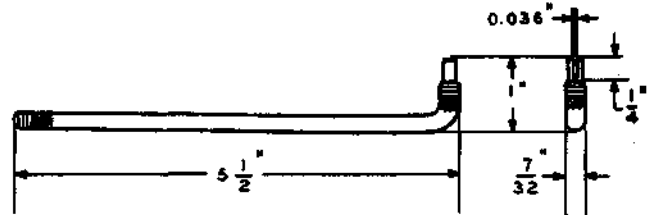
Replaces the 233 and 301 tools and adjuster R-63773. For use on helical spring-type clutches and 200- and 206-type selectors.

380A



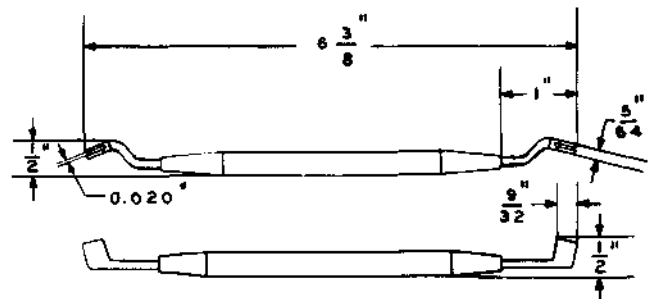
Spring adjuster. Replaces spring adjuster R-55760. For use on panel multiple brushes.

412A



Spring adjuster. For use on 202-, 211-, and 212-type switches; and 229-, 230-, and 232-type relays.

415B

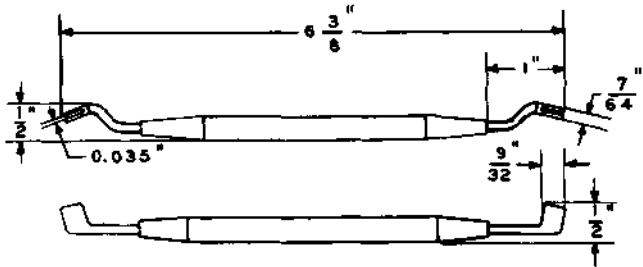


Spring adjuster. Replaces the 415A tool. For use on 197- and 198-type switches and step-by-step type relays.

416A **MFR DISC**

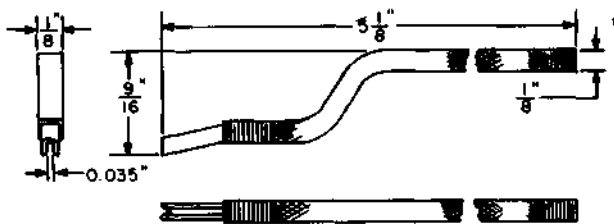
Replaced by the 416B tool.

416B



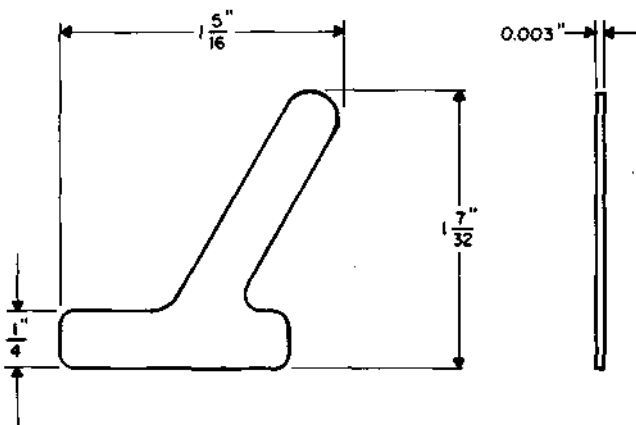
Spring adjuster. Replaces AECO spring adjuster H-20777 and the 416A tool. For use on relays, and 197-, 198-, 211-, 212-, and plunger-type line and out-trunk switches.

432B



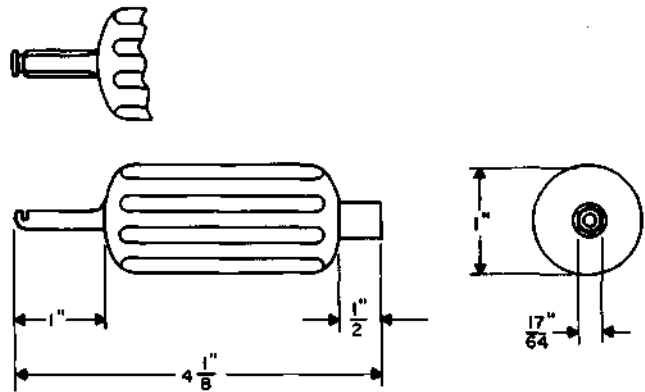
Multiple bank terminal adjuster. Replaces the 432A tool. For use on panel multiple banks.

436A



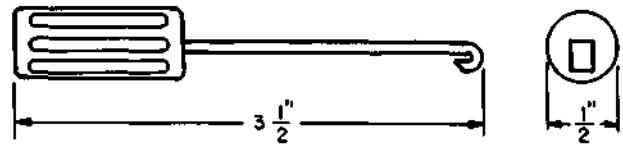
Heelpiece adjusting tool. For use on step-by-step type relays.

447A



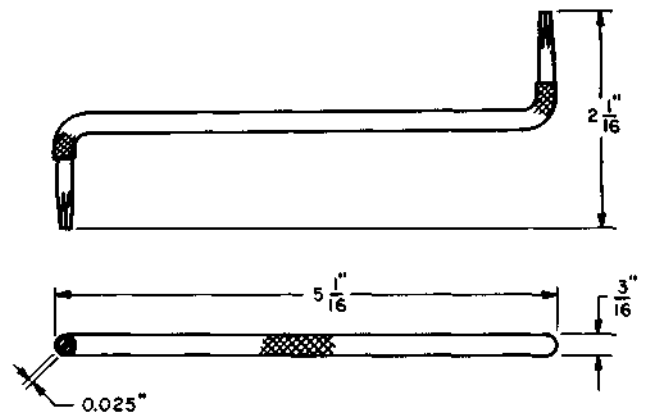
Protector wrench and adjuster. Replaces the 28 tool. For use on protector mountings and 444-type jacks.

456A



For use on 200- and 206-type selectors and power-driven rotary selectors.

462A



Spring adjuster. For use on split contact springs of A- and B-type sequence switches and 157-type interrupters.