

TOOLS
 ADJUSTERS IV—DESCRIPTION

1. GENERAL

1.01 This section covers coded and noncoded Bell System adjuster tools.

1.02 This section is reissued to rate the KS-20481, L1 Mfr Disc. and to add the KS-19355, L6 adjuster. The Equipment Test List is not affected.

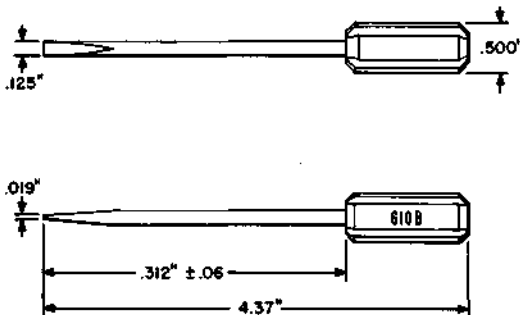
1.03 The information contained in this section supersedes the corresponding information in Sections 074-134-101, 074-135-101, 074-137-101, 074-139-101, 074-140-101, 074-142-101, 074-150-101, 074-202-101, and 074-501-101.

1.04 See tool index for other Adjuster practices.

610A—MFR DISC.

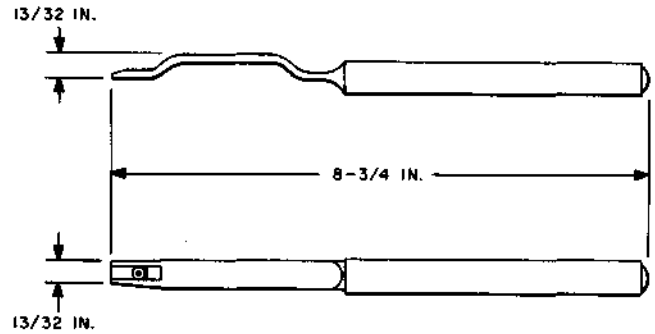
Replaced by the 610B tool.

610B



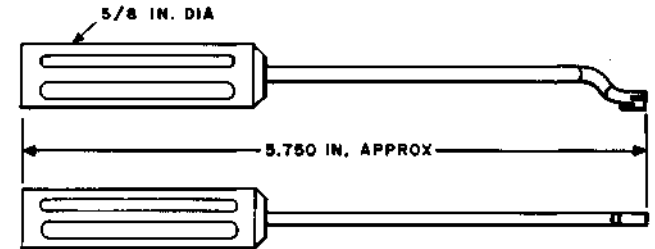
Potentiometer adjuster. Replaces the 610A tool. For adjusting gain potentiometers in voice frequency jack panels of L-type Multiplex Systems.

611A



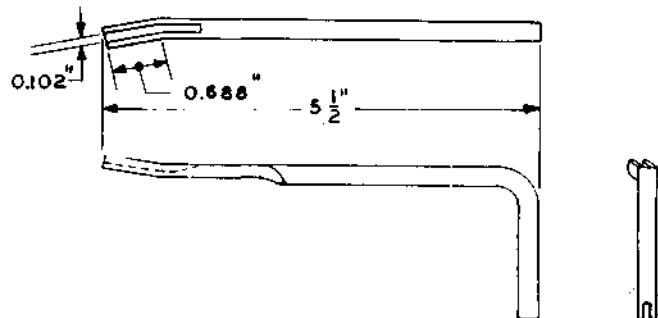
Relay hinge-bracket adjuster. For use on U-, UA-, and Y-type relays having hinge pin-type armature suspension.

619A



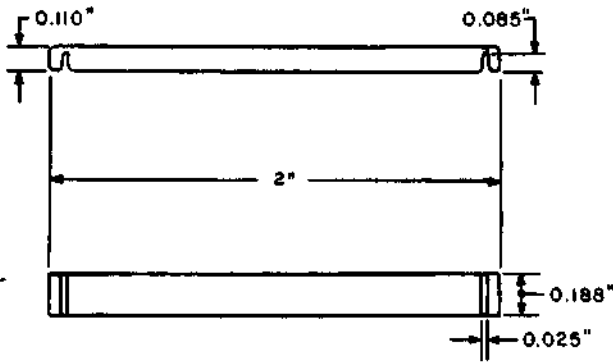
For use in adjusting panel commutator wiper holders.

623A



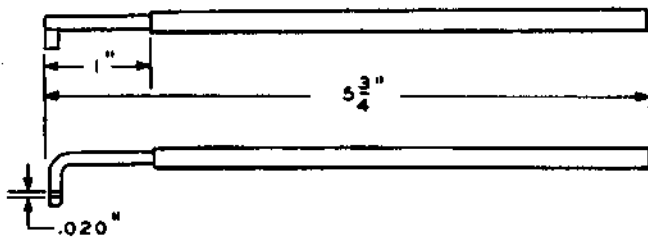
Bracket adjuster. For use in adjusting holding off-normal spring brackets on 324- and similar-type switches.

625A



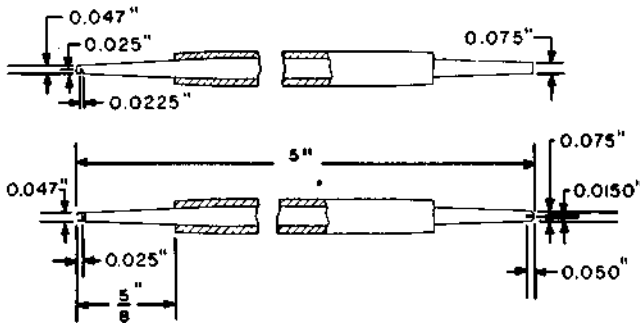
Spring adjuster. For use in adjusting the off-normal springs on the 214A selector of the one-type translator.

626A



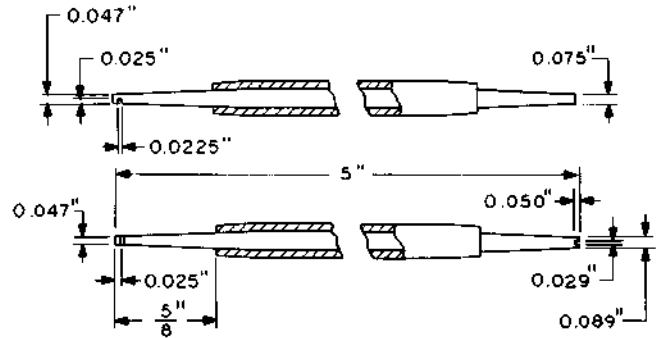
Spring adjuster. For use in adjusting vertical unit balancing springs on the 324- and similar-type switches.

638A



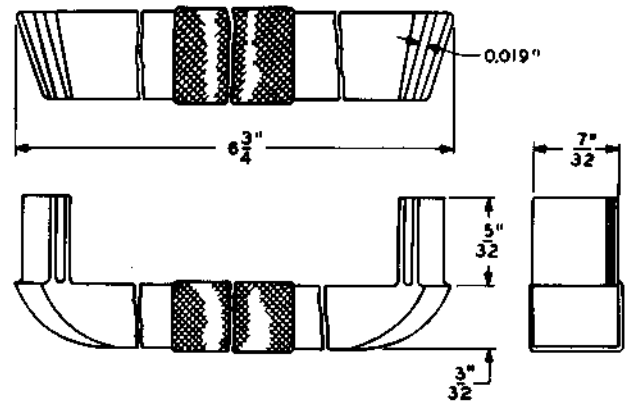
Contact aligning tool. This tool forms a part of the 1013A tool kit. For use in adjusting the replacement fixed contacts and twin contacts on the AF-, AG-, AJ-, and AK-type relays.

638B



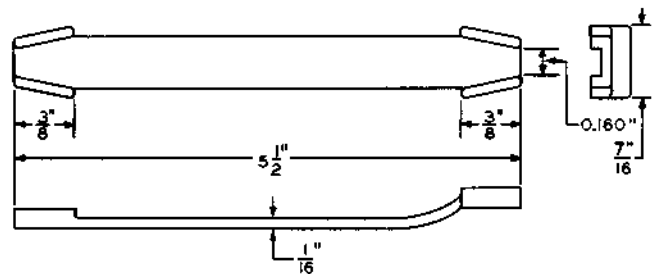
Contact aligning tool. This tool forms a part of the 1013A tool kit. For use in adjusting the replacement stationary contacts and twin contacts on the 286-, 287-, and 288-type relays.

648A



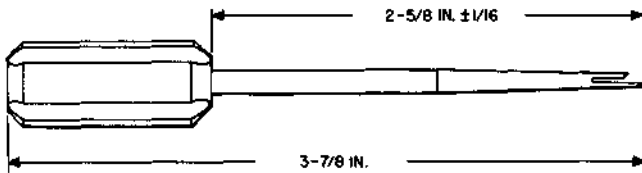
Spring adjuster. Replaces the D-178347 tool. For use on the KS-13835 readers.

662A



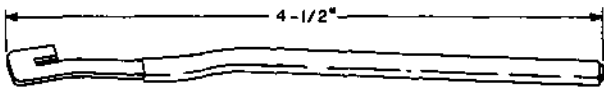
For adjusting the adjusting lugs of wire spring multicontact relays.

671A



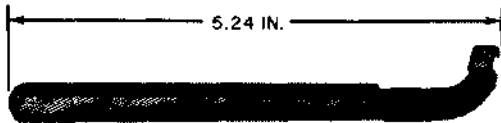
Magnetic separator adjuster. Replaces the D-167912 magnetic separator adjuster. For use in applying magnetic separators to the Y-type relays.

699A



Card support tab adjuster. For use in adjusting the card support tab on vertical units of the 324-, 325-, and 328-type crossbar switch.

711A



For use in adjusting the upper armature support lug on all crossbar switches.

764A—MFR DISC.

Replaced by the KS-20929, L3 adjuster (Section 074-202-122).

765A—MFR DISC.

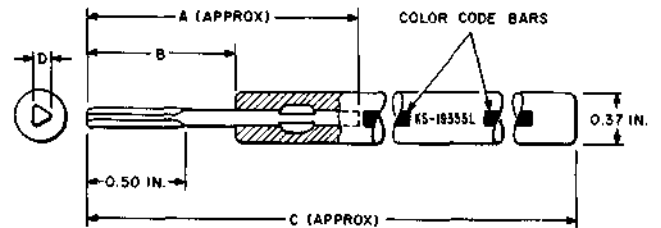
Replaced by the KS-20929, L3 and L4 adjusters (Section 074-202-122).

766A—MFR DISC.

Replaced by the KS-20929, L1 and L2 adjusters (Section 074-202-122).

KS-19355, L1, L3, L4, L5, and L6

In ordering, specify list number desired.



LIST NUMBER	DIMENSIONS (INCHES)				COLOR CODE
	A	B	C	D	
1	1.38	0.75	3.00	0.77	Black
3	2.18	1.56	3.82	.068	Red
4	1.38	0.75	3.00	.068	Blue
5	1.88	1.25	3.50	.077	Yellow
6	2.18	1.56	3.82	.065	Green

The **KS-19355, L1 adjuster** is for use in adjusting 1586 and 1590 inductors.

The **KS-19355, L3 and L4 adjusters** are intended for use in adjusting the 1614 and 1642 inductors, and 2576, 2583, 2597, 2601, and 2615 transformers.

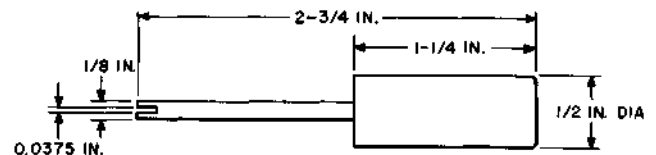
The **KS-19355, L5 adjuster** is for use in adjusting 1590C inductors in the J87303C oscillator in L4 coaxial system.

♦The **KS-19355, L6** is for use in adjusting the 1668, 1676, 1678, and 1698-type inductors. Replaces the KS-20481, L1 adjuster.♦

KS-19355, L2—MFR DISC.

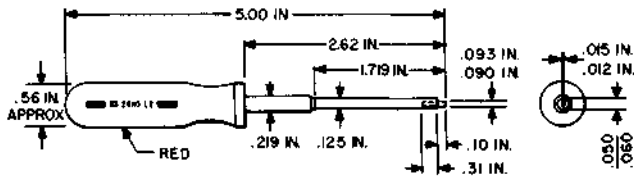
Replaced by the KS-19355, L3 adjuster.

KS-19915, L1



For use in adjusting contact separation on the BF-, BG-, BJ-, and BL-type relays.

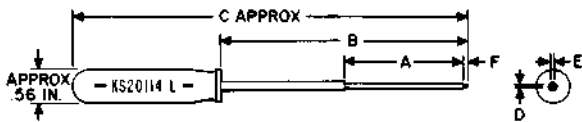
KS-20113, L2



Used for tuning the J68383 3A FM terminal.
Replaces the KS-20113, L1 adjuster.

KS-20114, L1 and L2

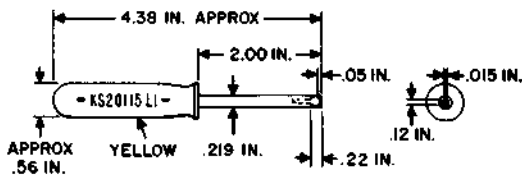
In ordering, specify list number desired.



LIST NO.	BLADE MATERIAL	DIMENSIONS (INCHES)					
		A	B	C	D	E	F
1	Steel	1.25	3.50	5.88	.020 .017	.093 .090	.12
2	Beryllium Copper	1.94	4.12	6.50	.020 .017	.093 .090	.06

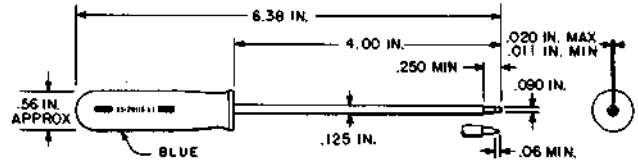
The **KS-20114, L1 and L2 adjusters** are used for adjusting the 3-type FM terminals in the TD-3 and TH-3 microwave radio systems. The handle color code for both list numbers is green.

KS-20115, L1



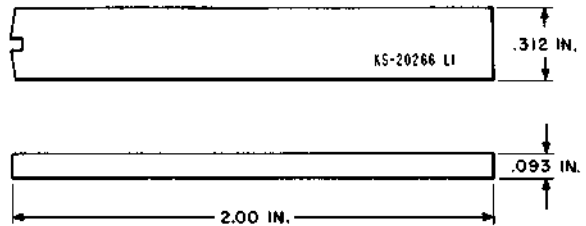
The **KS-20115 L1 adjuster** is for use with the J68383J test sets in adjusting the 3-type FM terminals.

KS-20116, L1



The **KS-20116 adjuster** is for use with the J68383J test sets in adjusting the 3-type FM terminals.

KS-20266, L1



A rectangular-shaped, metal bar having a slot in the center on one end, with this surface beveled from the slot to the sides. It is intended to be used for bending out cam teeth on normal post springs of the 197-type switches.

KS-20481 L1 — MFR DISC.

Replaced by the KS-19355 L6 adjuster.