

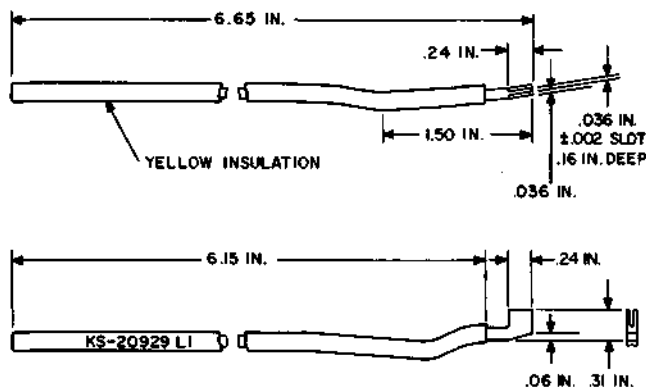
TOOLS

ADJUSTERS V - DESCRIPTION

1. GENERAL

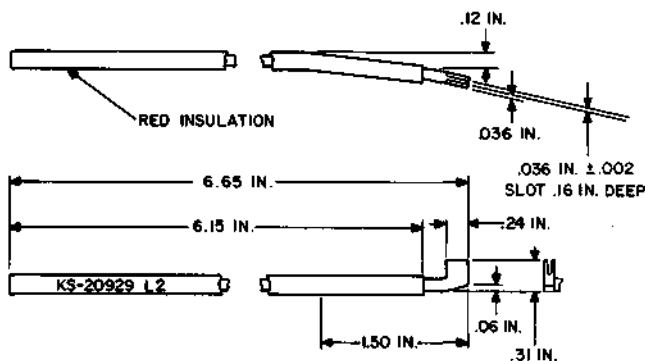
- 1.01 This section covers noncoded Bell System adjuster tools.
- 1.02 When this section is reissued, the reason for reissue will be listed in this paragraph.
- 1.03 The information contained in this section supersedes the corresponding information in Sections 074-501-101, 074-501-102, 074-520-101, and 074-880-101.
- 1.04 See tool index for other Adjuster practices.

KS-20929 L1



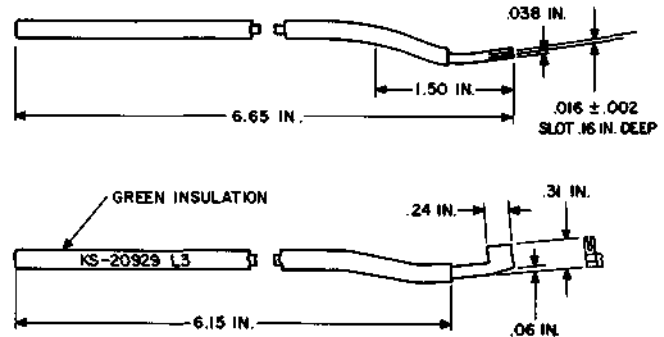
Replaces the 766A tool. Used for adjusting heavy springs and the armature backstop of the 221 FAE relays.

KS-20929 L2



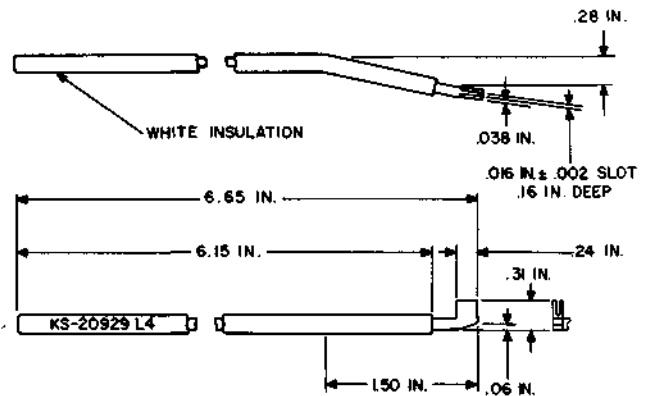
Replaces the 766A tool. Used for adjusting heavy springs and the armature backstop of the 221 FAE relays.

KS-20929 L3



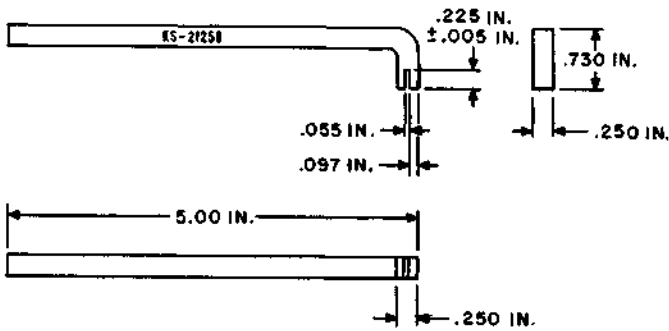
Replaces the 764A and 765A tools. Used for adjusting upper and lower springs of the 221 FAE relays.

KS-20929 L4



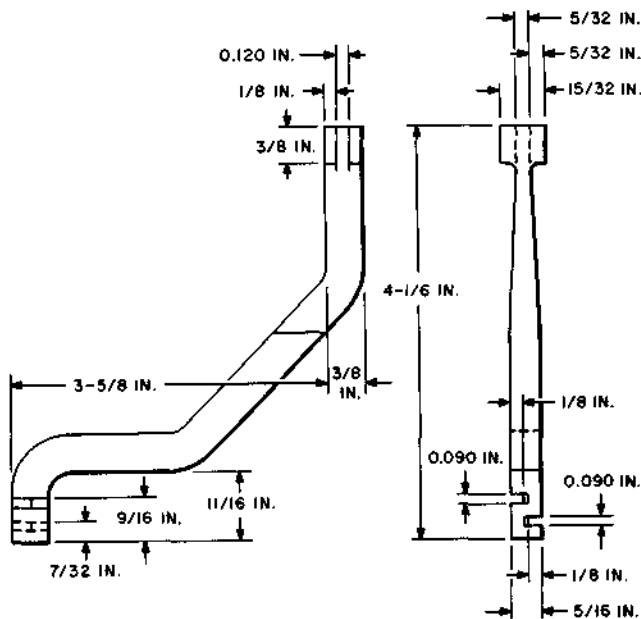
Replaces the 765A tool. Used for adjusting lower springs of the 221 FAE relays.

KS-21258 L1



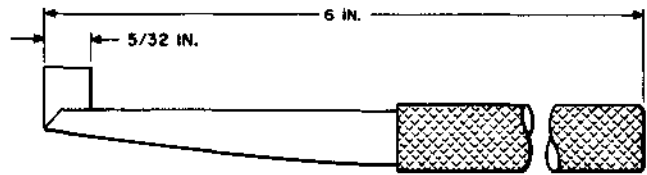
Used for adjusting the backstops of the U- and Y-type relays.

R-1760



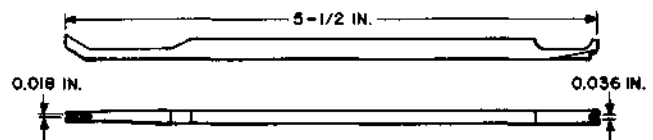
For use on the 200-, 206-, 209-, and 211-type selectors, 25-point rotary switches, and 1-type translators.

R-2142



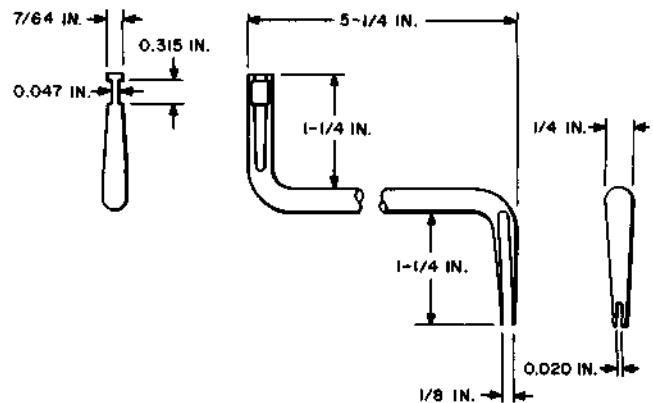
For use on sequence switches and the 157-type interrupters.

R-2753



For adjusting cover spring on the AF-, AG-, AJ-, and AK-type relays.

R-2830



Similar to the 380A tool except that the openings shown at left in the above illustration are wider. For use on panel multiple brushes in cases where the 380A tool cannot be used because of brush springs being too wide.

R-63773

Replaced by the 379A tool (Section 074-202-119).

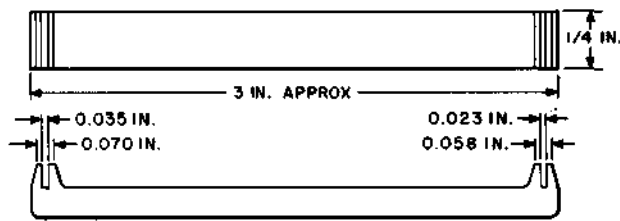
SEPARATOR, MAGNETIC, D-167912

Replaced by the 671A tool (Section 074-202-121).

SPRING, AECO H-20777

Replaced by the 416B tool (Section 074-202-119).

SPRING, R-3159



For use in adjusting normal post springs on the 197-type switches.

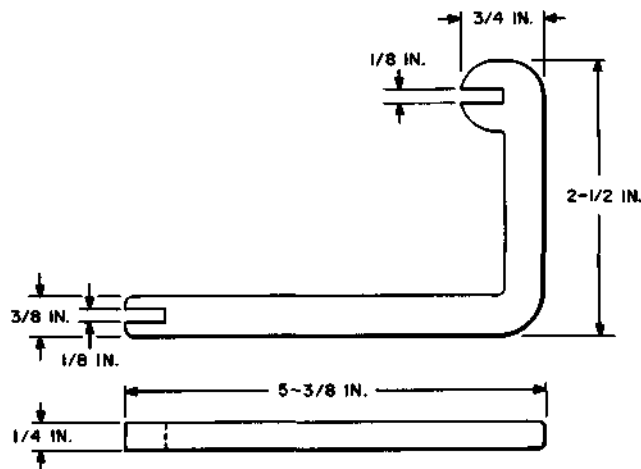
SPRING, R-65760

Replaced by the 380A tool (Section 074-202-119).

SPRING, R-69710

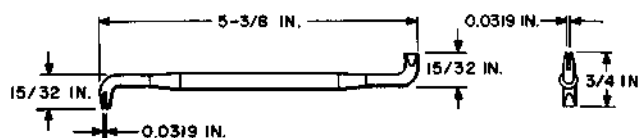
Replaced by the 371 tool (Section 074-202-119).

VERTICAL ARMATURE, AEC_o H-13398-1



Replaces the AEC_o H-7056 armature adjuster. For use on 197- and 198-type switches.

SPRING, AEC_o H-7066

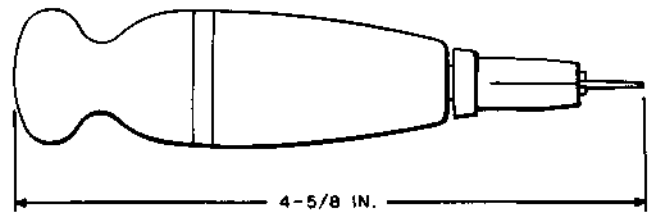


For use on step-by-step type relays and the 197- and 198-type switches.

SPRING, D-157398

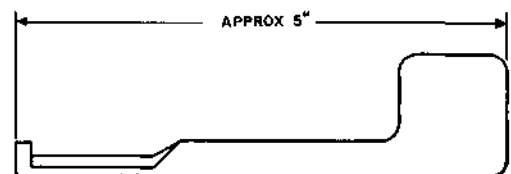
Replaced by the 506B tool.

SPRING, FINGER, TRIP, D-159676



Six needles are furnished with each tool. For use on panel elevator apparatus.

SPRING, TP-72003



For use on the 12AH receiving distributors.

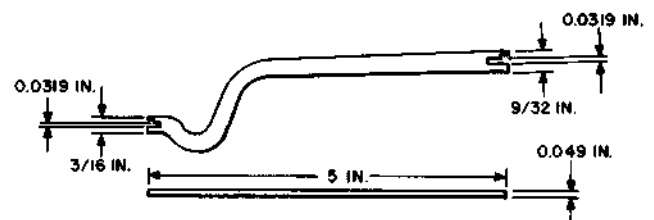
ARMATURE, AEC_o H-7056

Replaced by the AEC_o H-13398-1 armature adjuster.

ARMATURE, AEC_o H-14768

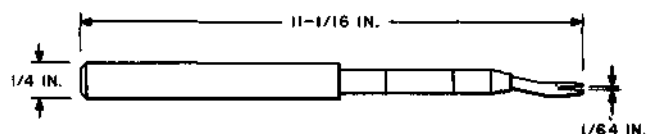
Replaced by the 597A tool (Section 074-202-120).

ARMATURE STOP, AEC_o H-14769



For use on step-by-step type relays.

BANK CONTACT, AEC_o H-7068-3

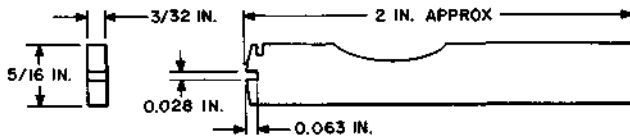


For use on plunger-type line and out-trunk switches.

BRUSH, MULTIPLE, D-159890

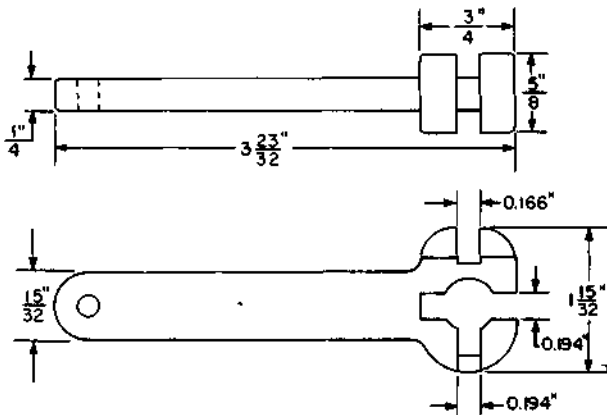
Replaced by the 583A tool (Section 074-202-120).

CAM, AEC_o H-47202



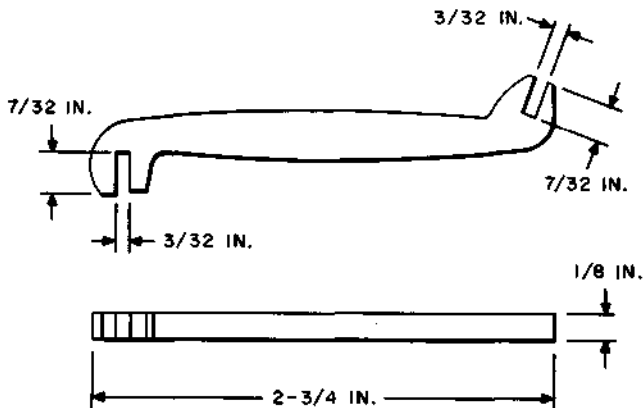
For use on 197-type switches.

WRENCH, WIPER, AEC_o H-7057



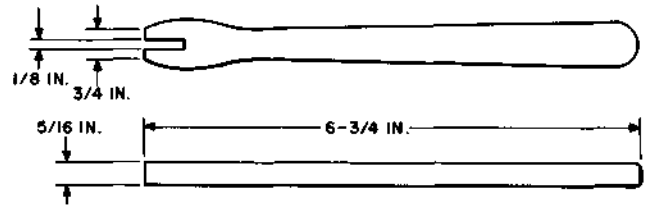
Wiper-shaft aligning wrench. For use on 197- and 198-type switches.

DOUBLE DOG, AEC_o H-7067



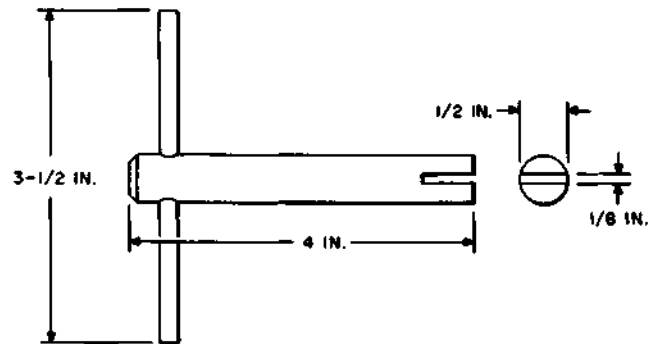
For use on 197- and 198-type switches and solenoid-type master switches.

FRAME, AEC_o H-13701



For use on solenoid-type master switches and plunger-type line and out-trunk switches.

PLUNGER ARM, AEC_o H-10001-3



For use on plunger-type line and out-trunk switches.