

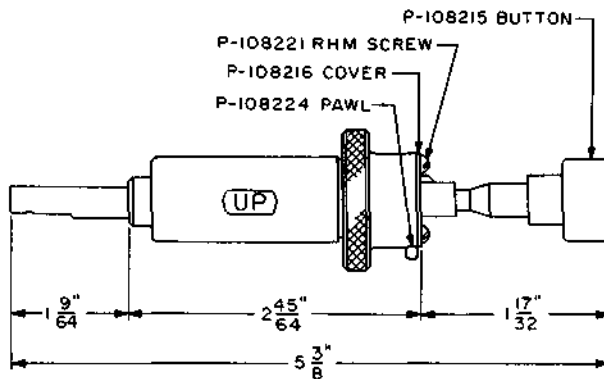
TOOLS

CLEANERS I - DESCRIPTION

1. GENERAL

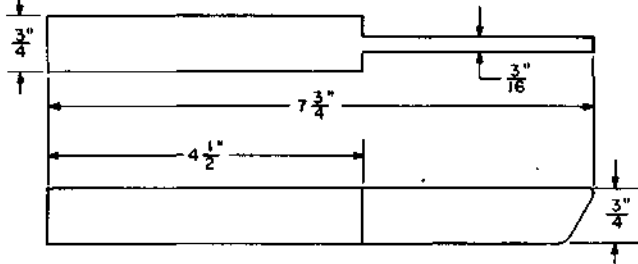
- 1.01 This section covers coded Bell System cleaner tools.
- 1.02 When this section is reissued, the reason for reissue will be listed in this paragraph.
- 1.03 The information contained in this section supersedes the corresponding information in Sections 074-102-101, 074-105-101, 074-112-101, 074-114-101, 074-116-101, 074-122-101, 074-123-101, and 074-124-101.
- 1.04 See tool index for other Cleaner practices.

111



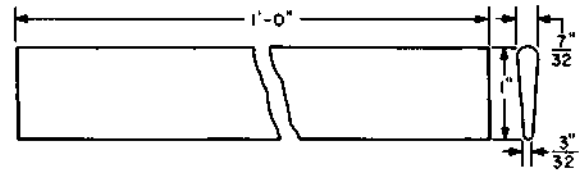
Jack spring cleaner. This tool has a roughened steel ribbon which can be inserted between the jack contacts without crossing the springs or sleeve. For use on 122-type jacks.

239



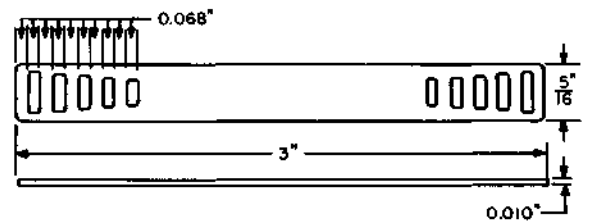
Cam cleaner. For use on 155A interrupters and A- and B-type and spring driven sequence switches.

358



Cleaning tool. For use on friction roll and gear reduction drives and vertical drive shafts.

359

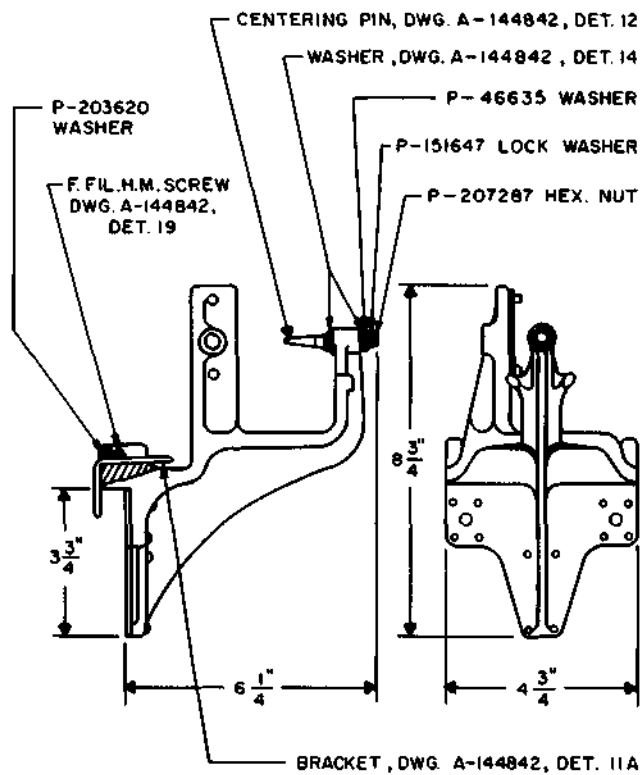


Magnet core and armature cleaning tool. Replaces the 307 tool. For use on 200-, 204-, and 206-type selectors, 2-type buzzers, and 25-point rotary switches.

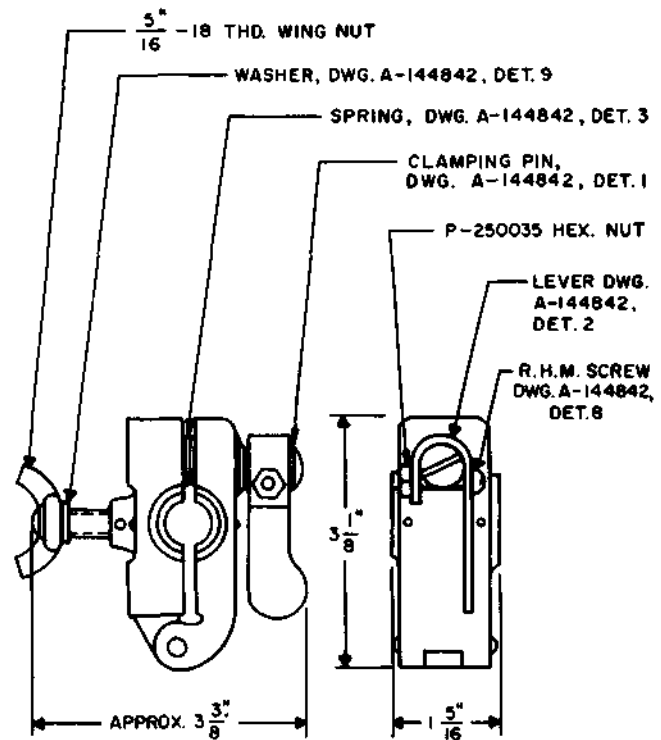
NOTICE

Not for use or disclosure outside the Bell System except under written agreement

384A

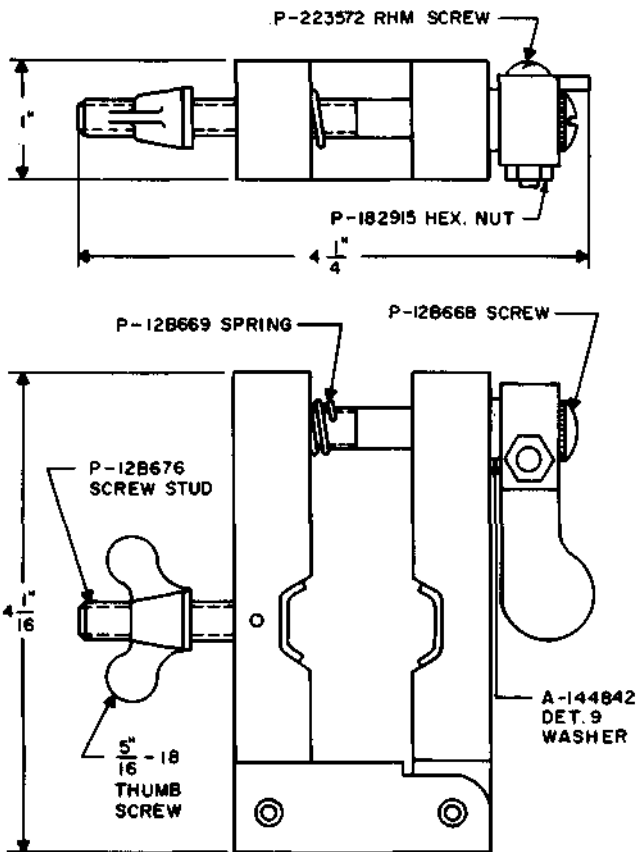


Portable plug cleaner. Consists of a bracket with an insulated, tapered pin for holding a cleaning cord and centering the plugs, a P-243641 hank (48 feet) of four solid braid white cotton cord, and two wood cord adjusting balls. For use in conjunction with the 385A, 385B, and 385C tools in cleaning plugs.

385A
385B
385C

Plug chucks. These tools are for use in conjunction with the 384A tool for holding plugs while cleaning. The 385A tool is for holding 47-type plugs; the 385B tool is for holding 137-, 152-, and 289-type plugs; and the 385C tool is for holding 309- and 310-type plugs.

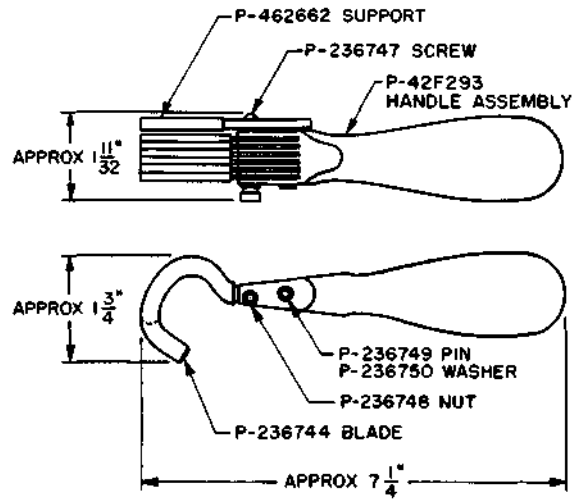
385D



Plug chucks. Consist of two jaws hinged at one end and fastened by means of a screw with a handle at the other end. For use in conjunction with the 384A tool for holding 396A plugs while cleaning.

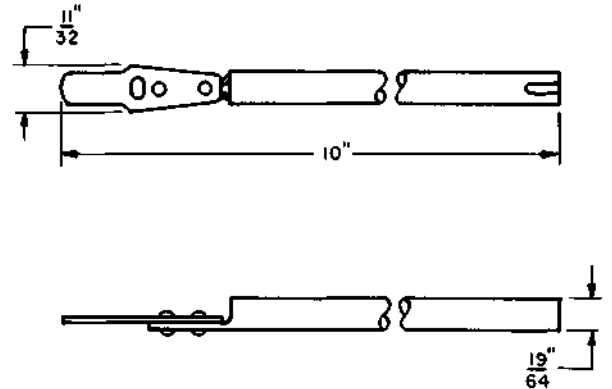
402A	MFR DISC
Replaced by the 402C tool.	
402B	MFR DISC
Replaced by the 402D tool.	
402C	MFR DISC
Replaced by the 402E tool.	
402D	MFR DISC
Replaced by the 517B tool.	

402E



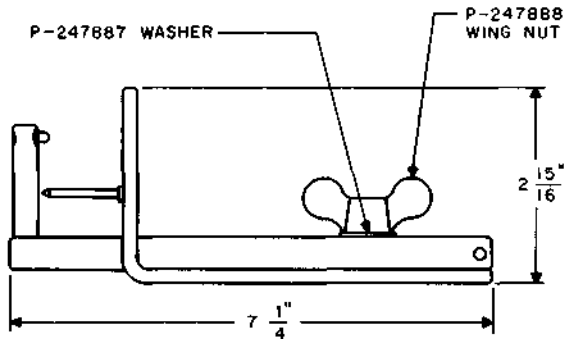
Bank contact cleaner. Replaces the 402C tool. For use in cleaning the contacts of 200-point banks of 197-type switches.

451A



Bank contact cleaner. For use in cleaning plunger-type line switch bank contacts.

468A

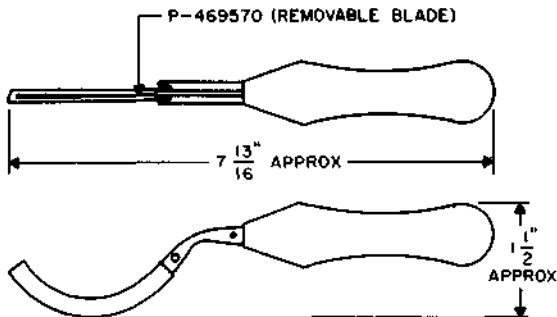


Bench fixture. For use in holding rotor hubs of 200-, 206-, 209-, and 211-type selectors and 25-point rotary switches while cleaning.

469A

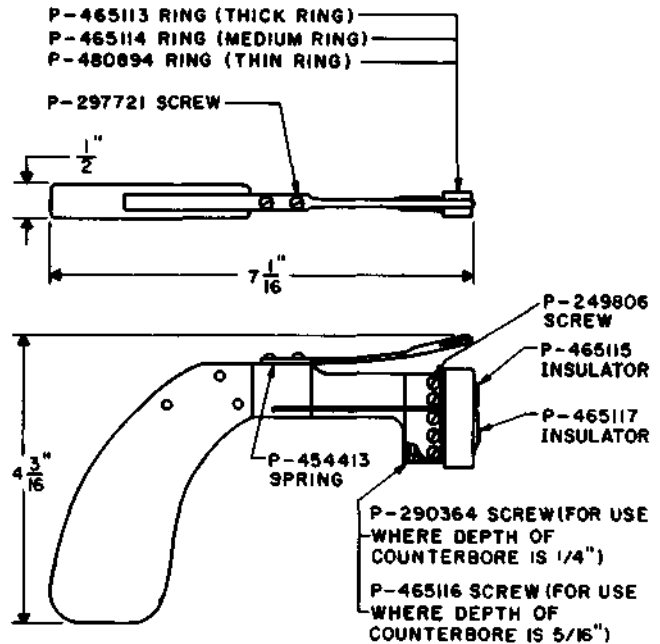
Handgrip. For use in cleaning rotor hubs of 200-, 206-, 209-, and 211-type selectors and 25-point rotary switches. See Section 074-220-132.

470A



Bank contact cleaner. For use in cleaning terminals of 10- and 26-type banks and banks associated with 25-point rotary switches.

479A



Note: When P-454413 spring is ordered for use on the earlier type tool on which the spring is secured by flat head screws order in addition two P-297721 screws for attaching the spring to the tool. The present type spring is not countersunk for flat head screws.

Bank contact cleaner. Supplied with six rings of each type. Replaces KS-6669 bank contact cleaner. For use on panel multiple banks.